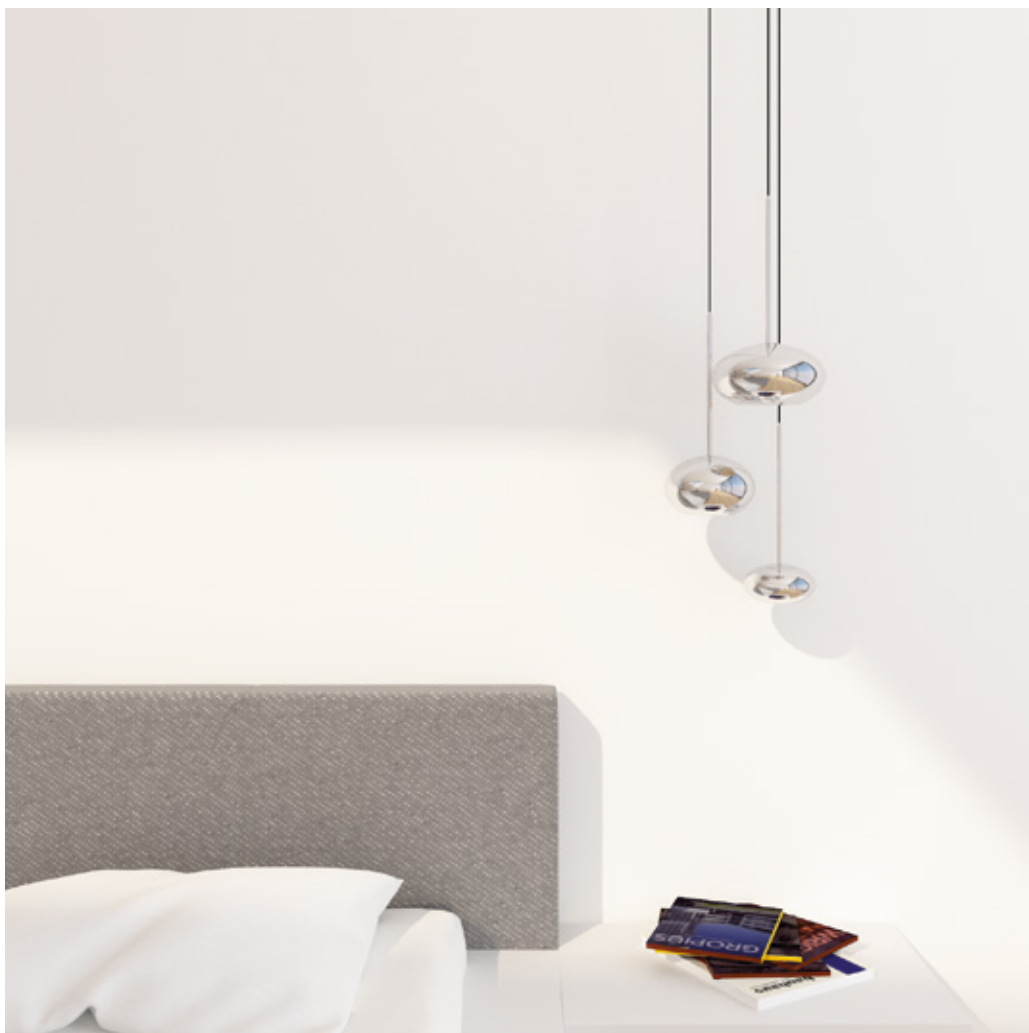


DIMPLE

TECHNICAL

BE STILL.



MEET DIMPLE.

BYBEAU

0 3	Dimple Technical	1 0	Dimple Line
0 4	Name of the product Product Description Dimple Sizes	1 2	Dimple Rectangular
0 5	Materials Light Specifications	1 6	Dimple Square
0 6	Dimple Single	2 0	Dimple Round
0 8	Dimple Showbox	2 6	Ordering Guide

D I M P L E T E C H N I C A L

-

Dimple marks the collaboration of Bybeau with Climar, bringing together our high-end bespoke design concepts with the highest quality manufacturing standards. We have established a research and development centre called HAB50 in Águeda where our designs and Climar's expertise can work hand in hand – and tailor unique, accessible products to a fast-moving market.

Dimple is a modular chandelier system, it is designed to allow unlimited configurations and made from the highest quality handblow glass with a unique two way mirror coated finish, available in a chrome finish, unveiling the extra interior glass ball when it's on. It offers a flexible modular chandelier system to suit interiors of all sizes, starting from a single pendant through to multiple pendant configurations.

Every Dimple comes with a standard warm white LED chip with 2700K. We have a range of standard dimmable drivers to suit your requirement (1-10, Mains or Dali), also available in RGBW for bespoke projects over 100. Each drop can be individually controlled via dmx to offer unlimited possibilities. The system is designed to work with its own control system or can be triggered by already installed control systems like Lutron or Crestron.

During the day the chandelier work like an organic sculpture with the mirror coating reflecting the natural light and it's surroundings. At night it becomes an exquisite light show that can adapt to the moment.

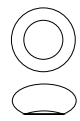
NAME OF PRODUCT:

Dimple

PRODUCT DESCRIPTION:

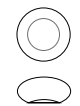
Dimple incorporates the highest quality hand blown glass and combines cutting edge technology that allows unlimited configurations. The unique two way mirror-coated finish, available in a chrome finish, unveiling the extra interior glass ball when it's on.

DIMPLE | 3 SIZES:



Ø180 x 90mm 0,22 KG

 Overall Dimensions Weight



Ø150 x 75mm 0,16 KG

 Overall Dimensions Weight



Ø120 x 60mm 0,13 KG

 Overall Dimensions Weight



MATERIALS

Aluminium
 Hand blown Crystal

SPECIFICATIONS

● Chrome

LIGHT

4W LED 2700K
 or RGBW
 (For installations
 over 100 pieces)

DIMPLE SINGLE

CODE: HC0 180 C b

TYPE DIMPLE SIZE CABLE COLOR
HANGING CAP

TYPE

Small Hanging Cap (**HC0**)
Large Hanging Cap (**HC1**)

DIMPLE SIZE

Ø**120**
Ø**150**
Ø**180**

HANGING CAP COLOR

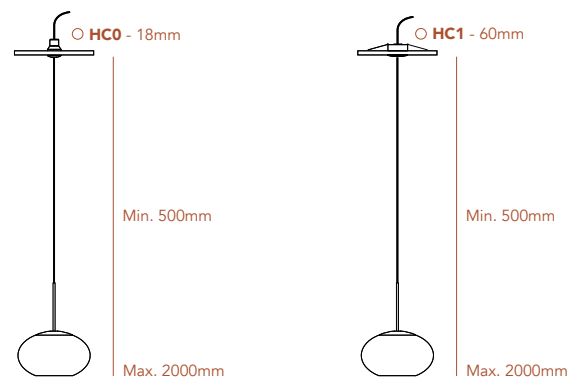
Chrome (**C**)
Black (**B**)
White (**W**)

CABLE COLOR

Black (**b**)
White (**w**)

LED

2700K (4W)



HC0 - Recommended for houses with access above the plasterboard ceiling.
HC1 - Recommended for houses with NO access above the plasterboard ceiling.



Buy as many dimples as you wish and create your own chandelier.

DIMPLE SHOWBOX

CODE: **SB0 7 B b**

TYPE
DIMPLE FORMATION
STRUCTURE
CABLE COLOR

TYPE

Direct Light (**SB0**)

Indirect Light (**SB1**)

DIMPLE FORMATION

3 Dimples	5 Dimples	7 Dimples
1 x Ø120	2 x Ø120	3 x Ø120
1 x Ø150	2 x Ø150	2 x Ø150
1 x Ø180	1 x Ø180	2 x Ø180

STRUCTURE

Black (**B**)

D. 390 x 390 x 2600mm

CABLE COLOR

Black (**b**)

LED

2700K (12W | 20W | 28W)

2700K (24W | 32W | 40W)

Direct ▲

Direct & Indirect ▼



DIMPLE LINE

CODE: LN 180 B b

LN: TYPE
180: DIMPLE SIZE
B: TOP PLATE
b: CABLE COLOR

TYPELine (**LN**)**DIMPLE SIZE ***

7 of Ø120 | Ø150 | Ø180

TOP PLATEChrome (**C**)Black (**B**)White (**W**)

D. 1300 x 65mm

Without Top Plate (**HC0 / HC1**)

Comes with a numbered paper template guide to assist you fixing the dimples in the right place.

CABLE COLORBlack (**b**)White (**w**)**LED**

2700K (28W)

* Choose Dimples size, dimple formation remains the same.

HC0 - Small Hanging Cap (for houses with access above the plasterboard ceiling).**HC1** - Large Hanging Cap (for houses with NO access above the plasterboard ceiling).

DIMPLE RECTANGULAR

CODE: RT 11 B b

RT — TYPE
 11 — DIMPLE FORMATION
 B — TOP PLATE
 b — CABLE COLOR

TYPE

Rectangular (**RT**)

DIMPLE FORMATION

11 Dimples

3 x Ø120

4 x Ø150

4 x Ø180

TOP PLATE

Chrome (**C**)

Black (**B**)

White (**W**)

D. 920 x 280mm

Without Top Plate (**HC0 / HC1**)

Comes with a numbered paper template guide to assist you fixing the dimples in the right place.

CABLE COLOR

Black (**b**)

White (**w**)

LED

2700K (44W)

HC0 - Small Hanging Cap (for houses with access above the plasterboard ceiling).

HC1 - Large Hanging Cap (for houses with NO access above the plasterboard ceiling).



DIMPLE RECTANGULAR

CODE: RT 19 B b

RT — TYPE
 19 — DIMPLE FORMATION
 B — TOP PLATE
 b — CABLE COLOR

TYPE

Rectangular (**RT**)

DIMPLE FORMATION

19 Dimples

7 x Ø120

7 x Ø150

5 x Ø180

TOP PLATE

Chrome (**C**)

Black (**B**)

White (**W**)

D. 1200 x 300mm

Without Top Plate (**HC0 / HC1**)

Comes with a numbered paper template guide to assist you fixing the dimples in the right place.

CABLE COLOR

Black (**b**)

White (**w**)

LED

2700K (100W)

HC0 - Small Hanging Cap (for houses with access above the plasterboard ceiling).

HC1 - Large Hanging Cap (for houses with NO access above the plasterboard ceiling).



DIMPLE SQUARE

CODE: SQ 9 B b

TYPE DIMPLE FORMATION TOP PLATE CABLE COLOR

TYPE

Square (**SQ**)

DIMPLE FORMATION

9 Dimples

4 x Ø120

4 x Ø150

1 x Ø180

TOP PLATE

Chrome (**C**)

Black (**B**)

White (**W**)

D. 450 x 450mm

Without Top Plate (**HC0 / HC1**)

Comes with a numbered paper template guide to assist you fixing the dimples in the right place.

CABLE COLOR

Black (**b**)

White (**w**)

LED

2700K (36W)

HC0 - Small Hanging Cap (for houses with access above the plasterboard ceiling).

HC1 - Large Hanging Cap (for houses with NO access above the plasterboard ceiling).



DIMPLE SQUARE

CODE: SQ 25 B b

TYPE DIMPLE FORMATION TOP PLATE CABLE COLOR

TYPE

Square (**SQ**)

DIMPLE FORMATION

25 Dimples

9 x Ø120

9 x Ø150

7 x Ø180

TOP PLATE

Chrome (**C**)

Black (**B**)

White (**W**)

D. 800 x 800mm

Without Top Plate (**HC0 / HC1**)

Comes with a numbered paper template guide to assist you fixing the dimples in the right place.

CABLE COLOR

Black (**b**)

White (**w**)

LED

2700K (100W)

HC0 - Small Hanging Cap (for houses with access above the plasterboard ceiling).

HC1 - Large Hanging Cap (for houses with NO access above the plasterboard ceiling).



DIMPLE ROUND

CODE: RD 5 W b

RD — TYPE
 5 — DIMPLE FORMATION
 W — TOP PLATE
 b — CABLE COLOR

TYPERound (**RD**)**DIMPLE FORMATION**

3 Dimples	5 Dimples	7 Dimples
1 x Ø120	2 x Ø120	3 x Ø120
1 x Ø150	2 x Ø150	2 x Ø150
1 x Ø180	1 x Ø180	2 x Ø180

TOP PLATEChrome (**C**)Black (**B**)White (**W**)

D. Ø 260mm (3 Dimples)
 Ø 280mm (5/7 Dimples)

Without Top Plate (**HC0 / HC1**)

Comes with a numbered paper template guide to assist you fixing the dimples in the right place.

CABLE COLORBlack (**b**)White (**w**)**LED**

2700K (12W | 20W | 28W)

**HC0** - Small Hanging Cap (for houses with access above the plasterboard ceiling).**HC1** - Large Hanging Cap (for houses with NO access above the plasterboard ceiling).

DIMPLE ROUND

CODE: RD 11 B b

TYPE DIMPLE FORMATION TOP PLATE CABLE COLOR

TYPERound (**RD**)**DIMPLE FORMATION****11** Dimples

3 x Ø120

3 x Ø150

5 x Ø180

TOP PLATEChrome (**C**)Black (**B**)White (**W**)

D. Ø 530mm

Without Top Plate (**HC0 / HC1**)

Comes with a numbered paper template guide to assist you fixing the dimples in the right place.

CABLE COLORBlack (**b**)White (**w**)**LED**

2700K (44W)

HC0 - Small Hanging Cap (for houses with access above the plasterboard ceiling).
HC1 - Large Hanging Cap (for houses with NO access above the plasterboard ceiling).



DIMPLE ROUND

CODE: RD 19 W b

RD — TYPE
 19 — DIMPLE FORMATION
 W — TOP PLATE
 b — CABLE COLOR

TYPE

Round (**RD**)

DIMPLE FORMATION

19 Dimples

6 x Ø120

8 x Ø150

5 x Ø180

TOP PLATE

Chrome (**C**)

Black (**B**)

White (**W**)

D. Ø 800mm

Without Top Plate (**HC0 / HC1**)

Comes with a numbered paper template guide to assist you fixing the dimples in the right place.

CABLE COLOR

Black (**b**)

White (**w**)

LED

2700K (76W)

HC0 - Small Hanging Cap (for houses with access above the plasterboard ceiling).

HC1 - Large Hanging Cap (for houses with NO access above the plasterboard ceiling).



HOW TO ORDER YOUR DIMPLE

DIMPLE SINGLE

PART CODE E.G: **2 HC0 150 B b****2**

NO. OF ORDERS

HC0

TYPE

150

DIMPLE SIZE

B

HANGING CAP COLOR

b

CABLE COLOR

NO. OF ORDERS

Unlimited Number of Orders

TYPE

HC0 Small Hanging Cap**HC1** Large Hanging Cap

DIMPLE SIZE *

120 Small **150** Medium **180** Big**120** Small **150** Medium **180** Big

HANGING CAP COLOR

C Chrome **B** Black **W** White

CABLE COLOR

b Black **w** White

* Each Type has several available options for Dimple size or Formation.

HC0 - Recommended for houses with access above the plasterboard ceiling.**HC1** - Recommended for houses with NO access above the plasterboard ceiling.For technical
details page 06

HOW TO ORDER YOUR DIMPLE

DIMPLE SHOWBOX

PART CODE E.G: **1 SB0 7 B b****1**

NO. OF ORDERS

SB0

TYPE

7

DIMPLE FORMATION

B

STRUCTURE

b

CABLE COLOR

NO. OF ORDERS

Unlimited Number of Orders

TYPE

SB0 Direct Light**SB1** Direct & Indirect Light

DIMPLE FORMATION *

3 Qt. **5** Qt. **7** Qt.**3** Qt. **5** Qt. **7** Qt.

STRUCTURE

B Black

CABLE COLOR

b Black

* Each Type has several available options for Dimple size or Formation.

For technical
details page 08

HOW TO ORDER YOUR DIMPLE

DIMPLE PENDANT

PART CODE E.G: **1 RD 19 B b**



NO. OF ORDERS



TYPE



DIMPLE SIZE / FORMATION



TOP PLATE



CABLE COLOR

NO. OF ORDERS

Unlimited Number of Orders

TYPE



Line

DIMPLE SIZE *



Small



Medium



Big

TYPE



Rectangular



Square



Round

DIMPLE FORMATION *



11 Qt.



19 Qt.



3 Qt.



5 Qt.



7 Qt.



9 Qt.



25 Qt.



3 Qt.



5 Qt.



7 Qt.



11 Qt.



19 Qt.

TOP PLATE



Chrome



Black



White



W/o Top Plate, Small Hanging Cap



W/o Top Plate, Large Hanging Cap

Comes with a numbered paper template guide to assist you fixing the dimples in the right place.

CABLE COLOR



Black



White

* Each Type has several available options for Dimple size or Formation.

HC0 - Recommended for houses with access above the plasterboard ceiling.

HC1 - Recommended for houses with NO access above the plasterboard ceiling.

For technical details page 10-20



Av. José da Costa Mealha,43, 1º 8100-500 Loulé, Algarve, Portugal
T +351 289 432 615 | E info@bybeau.com

WWW.BYBEAU.COM

Manufacture & Main Distributor:

Climar - Indústria de Iluminação, S.A., Rua Estrada Real, 50, 3750-866 Borralha, Portugal
T +351 234 690 330 | E geral@climar.pt

HAB 50
by Climar Lighting