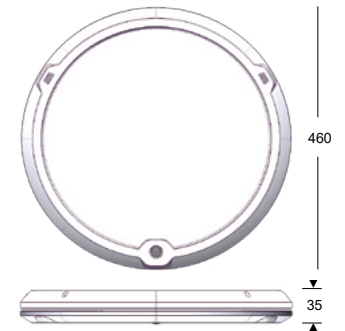
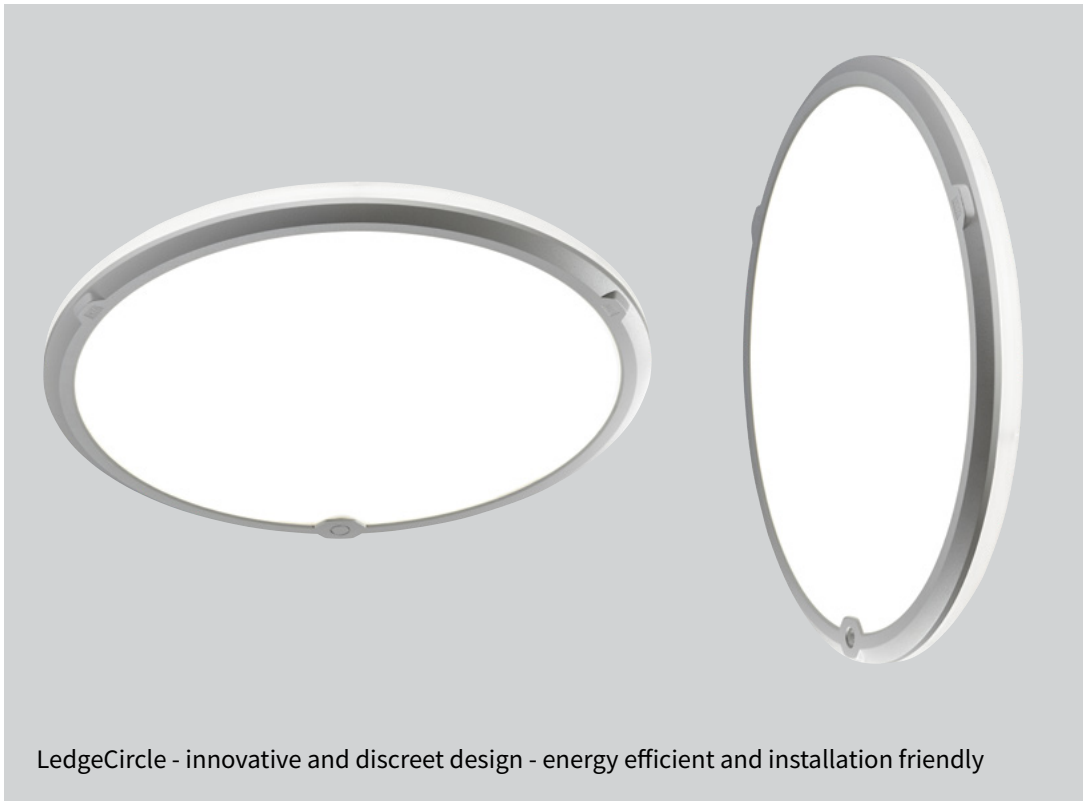


# LedgeCircle® D460 - Essential



LedgeCircle - innovative and discreet design - energy efficient and installation friendly

## Description

Modern wall and ceiling fitting based upon newly developed edge-lit technology, which in spite of the very small sizes contains a variety of alternative control systems. High quality, IP-class and top rated light distribution in combination with a discreet design makes the fitting ideal both in official and private premises. LedgeCircle is available in 2 sizes, both in several versions, which makes the fittings suitable in various application areas.

## Application area

All-purpose fitting for entrance, stair, corridor, reception area, lounge, waiting room, toilet, bathroom etc.

## Materials

Powder painted aluminium front in white, RAL 9016. Driver, diffuser and luminous back part in UV-stabilized impact resistant polycarbonate.

## Mounting

Direct in ceiling or on wall. Keyholes which fits a standard ceiling box placed in 45° angles (fitting adjustable +/-5°). For surface mounted cable enclosed distances are used.

## Installation

2 pcs rubber bushings in centre the fitting makes easy in and out cabling possible. Power connection through 2-pole terminal block up to 2,5 mm<sup>2</sup> cable. Through wiring possible.

## PIR OnOff

Infrared motion sensor which turns on and off after movement. The hold time can be set in steps from 8-sec to 25-min, preset on 10-min. Slave output (100W). This version is ideal for use in smaller rooms such as entrances and toilets.

## PIR MinMaxOff

Infrared motion sensor which alternate between max light 100% when presence and min 10% after preset time, 10-min, without detection. After additional delay the light turns off (eligible). All settings are made via DIP-switches on the fitting or via remote control (accessories). This version is ideal for use in smaller rooms such as entrances and toilets.

## Radar MinMaxOff

Infrared motion sensor which alternate between max light 100% when presence and min 10% after preset time, 10-min, without detection. After additional delay the light turns off (eligible). All settings are made via DIP-switches on the fitting. This sensor is suitable when longer range and high sensitivity are requested. This version is ideal for use in larger areas such as staircases and corridors.

## RF Radar MinMaxOff

LedgeCircle® RF is a Radar MinMaxOff fitting with a built-in radio device that enables communication between fittings. The combination of motion detection, communication and lighting controls makes LedgeCircle® RF ideal for applications like stairways and corridors where you want the light to be off or at a reduced level when no one is present, while providing ideal lighting whenever it's needed. Setting of the RF version requires a remote control. For more information please see separate RF manual on [www.defa.com](http://www.defa.com).



LedgeCircle with PIR sensor



LedgeCircle is supplied with back/side light

# LedgeCircle® D460 - Essential



Number	Type			Light source		lm. fitting	lm/W	Control	Weight
120783	LedgeCircle	D460	ES	29W	3000K	3211	111		2,4 kg
120784	LedgeCircle	D460	ES	29W	3000K	3211	111	DALI	2,4 kg
120785	LedgeCircle PIR	D460	ES	29W	3000K	3211	111	PIR OnOff	2,5 kg
120787	LedgeCircle PIR	D460	ES	29W	3000K	3211	111	PIR MinMaxOff	2,5 kg
121890	LedgeCircle Radar	D460	ES	29W	3000K	3211	111	Radar MinMaxOff	2,5 kg
122370	LedgeCircle RF	D460	ES	29W	3000K	3211	111	RF Radar MinMaxOff*	2,5 kg
120788	LedgeCircle	D460	ES	29W	4000K	3461	119		2,4 kg
120789	LedgeCircle	D460	ES	29W	4000K	3461	119	DALI	2,4 kg
120790	LedgeCircle PIR	D460	ES	29W	4000K	3461	119	PIR OnOff	2,5 kg
120792	LedgeCircle PIR	D460	ES	29W	4000K	3461	119	PIR MinMaxOff	2,5 kg
121880	LedgeCircle Radar	D460	ES	29W	4000K	3461	119	Radar MinMaxOff	2,5 kg
122369	LedgeCircle RF	D460	ES	29W	4000K	3461	119	RF Radar MinMaxOff*	2,5 kg

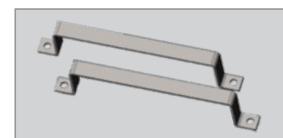
\* For setting of the RF version the 122608 remote control is required

#### Accessories:

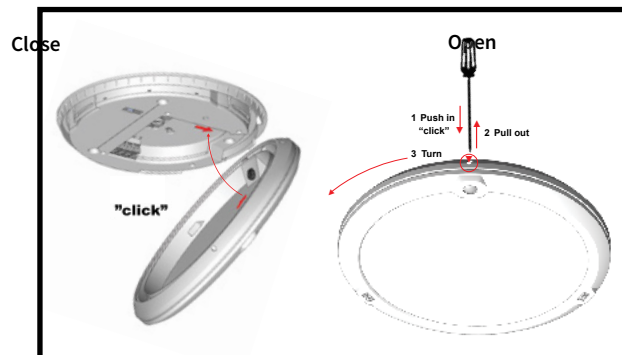
120420	Remote control HRC-05	For PIR MinMaxOff
122608	Remote control RF HRC-11	For RF Radar MinMaxOff
123546	Shelter brackets	D460 kit (pair)

#### LED unit

Colour index	RA>80
Colour tolerance	MacAdam 3
Lifetime OnOff: L80B10	100.000 h
Lifetime DALI: L80B50	100.000 h
Lifetime driver:	62.000 h
Lifetime driver:	100.000 h



Shelter brackets



#### Easy mounting and dismounting

The mounting plate and the fitting clicks together and the fitting is installed. Dismounting by an easy click and turn mechanism to open the fitting.

