

WOOD DUAL LED

N A T U R A L P E R F E C T I O N

seTup.lighting
V I S I B L E E M O T I O N S



THE STORY

With the Wood Ring DUAL family we wanted to create something unique based on solid wood. The solution should be sustainable, but still perform best in terms of thermal management, efficiency and attract visually. The challenge was to make the product suitable for many applications and not just for a narrow range of projects.

Next, the outcome should be scalable to various dimensions and shapes without investing to expensive tools. It should provide the possibility to use different materials and change the appearance in a simple way. It should still allow customers a certain freedom for personalisation.

We are proud to introduce the Wood Ring DUAL family!

About us

We are specialized on innovative lighting solutions made of solid wood and other natural materials - as individual as your personal fingerprints.

In our manufacture we combine innovative CNC technology and traditional craftsmanship.

We see us as an engineering and production platform for designers and architects with the ability to realise customised solutions based on various materials, especially natural materials, within a few weeks.

As a team of designers, thinkers, collaborators and problem solvers, with over two decades of experience, we're able to offer a wide-range of services; machining dozens of different materials, from the everyday to the exotic, high-end finishing and complex installations.





WOOD RING DUAL SIZES



WOOD RING DUAL 400



WOOD RING DUAL 610



WOOD RING DUAL 860



WOOD RING DUAL 1160



OAK



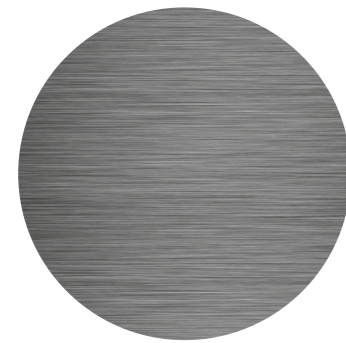
ASH



WALNUT



CHERRY



PAINTED



ALUMINIUM



BRASS



COPPER

MATERIAL COMBINATIONS

In general we process all kinds of hard woods to achieve best CNC milling results. Nevertheless we selected 4 basic types which are often wished by our customers. Due to the unique construction of this luminaire, we are able to use also different kinds of metals. From very basis with powder coated aluminium to high exclusive appearing brass.

OAK

Its wood texture is prominent, making it useful for beautiful visual applications. OAK belongs to the hardwood and is very strong and nowadays 90% selected by our clients.

AMERICAN WALNUT

American walnut wood is dark, hard, dense and tight-grained. It polishes to a very smooth finish, and the color ranges from creamy white in the sapwood to a dark chocolate in the heartwood.

ASH

Ash is a light colored, smooth-grained hardwood. With its typical straight grain and beige-to-light-brown hue, ash wood is durable, light-weight and aesthetically pleasing.

CHERRY

Natural cherry wood is one of the most prized hardwoods. Cherry is a smooth-grained, reddish-brown which gets reddish during aging. It comes from the Cherry fruit tree.





LIGHT QUALITY

The perfect light is not just improving our visual comfort but also affecting us on emotional and biologic level. Studies have shown that light influence our hormon levels, especially melatonin and serotonin which are responsible for our awake and sleep cycles. Furthermore the invisible flicker of many light sources in the past made our brain busy which resulted to early tiredness. The same was proven when the light was not supporting our visual comfort.

COLOR RENDERING INDEX

The color rendering index (CRI) is a measure about how real colors are getting rendered under the light source in comparison to our daylight with CRI 100. Our DUALs achieve a result of typically CRI 92 and can be also customized up to CRI 98.

HUMAN CENTRIC LIGHTING

Human Centric Lighting (HCL) describes a movement of the color temperature of the artificial light similar to daylight - relaxing warm color temperatures in the morning and evening and activating cold color temperatures during the day. Wood DUAL can be equipped with this fully automated function and supports our biologic clock.

CONTROLABILITY

We provide control interfaces like DALI and innovative low energy bluetooth solutions based on Casambi.

FLICKER

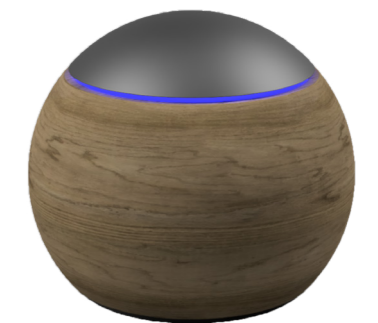
With ELDO LED we found the perfect partner delivering flicker free drivers which can even operate in HD camera broadcast environments. The light can also be dimmed down to 0.1% which is a real dim to dark promise.

LIGHT WHEN NEEDED AND USER COMFORT

Wood DUAL can be equipped with a passive infrared movement and daylight sensor. The light will switch on when movement is detected and dim down and finally switch off after a predefined time automatically. This increases not only the user comfort but also maximise the energy savings.



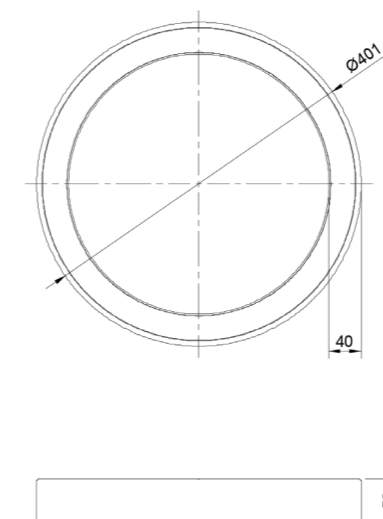
X-PRESS



LEDPUK



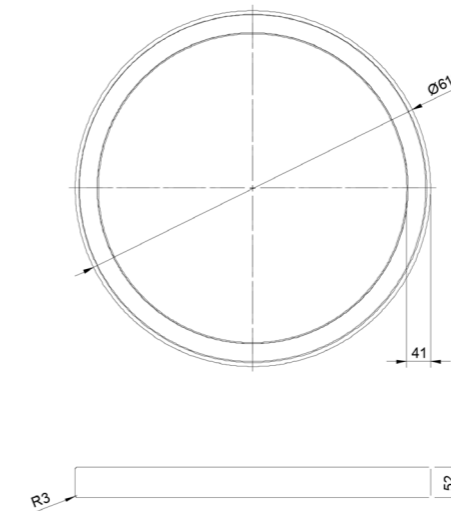
WOOD RING DUAL LED 400



Order code example	WRI400x52DUAL-31-930-DIFF-OAK-FIX
Lumen output	2015 lm @3000K
Power consumption	31W
Color temperature	2700K, 3000K, 4000K, TW 2700-6500K
Color rendering	CRI 95 typical
Type of installation	Suspended, surface mounted
Driver placement	Inside or on the ceiling (ceiling cover 200mm)
Driver types	FIX (on/off), DALI, BT (Casambi bluetooth)
Ambient temperature rating	0 – 35° C
Type of wood	OAK, ASH, AMERICAN WALNUT, CHERRY
Optic	DIFF (PMMA diffusor)
Materials inside ring	Powder coated aluminium, brushed aluminium, brass, copper
Surface treatment	Natural, oiled, fire-proof coating, anti-bacterial coating



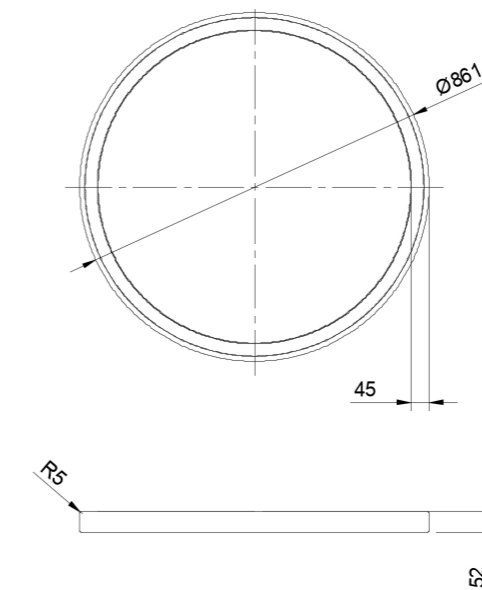
WOOD RING DUAL LED 610



Order code example	WRI610x52DUAL-51-930-DIFF-OAK-FIX
Lumen output	3264 lm @3000K
Power consumption	51W
Color temperature	2700K, 3000K, 4000K, TW 2700-6500K
Color rendering	CRI 95 typical
Type of installation	Suspended, surface mounted
Driver placement	Inside or on the ceiling (ceiling cover 200mm)
Driver types	FIX (on/off), DALI, BT (Casambi bluetooth)
Ambient temperature rating	0 – 35° C
Type of wood	OAK, ASH, AMERICAN WALNUT, CHERRY
Optic	DIFF (PMMA diffusor)
Materials inside ring	Powder coated aluminium, brushed aluminium, brass, copper
Surface treatment	Natural, oiled, fire-proof coating, anti-bacterial coating



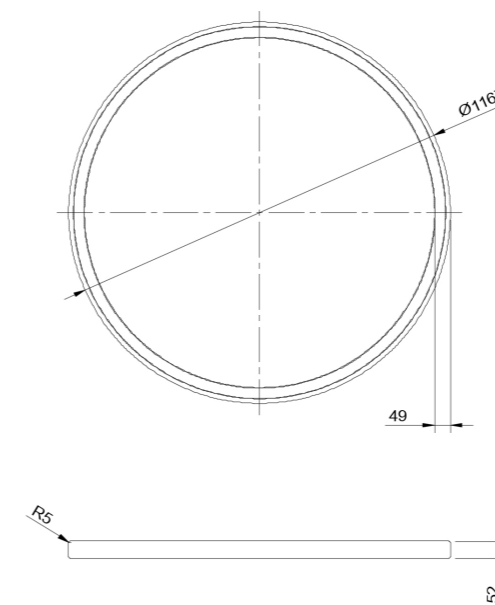
WOOD RING DUAL LED 860



Order code example	WRI860x52DUAL-75-930-DIFF-OAK-FIX
Lumen output	4350 lm @3000K
Power consumption	75 W
Color temperature	2700K, 3000K, 4000K, TW 2700-6500K
Color rendering	CRI 95 typical
Type of installation	Suspended, surface mounted
Driver placement	Inside or on the ceiling (ceiling cover 200mm)
Driver types	FIX (on/off), DALI, BT (Casambi bluetooth)
Ambient temperature rating	0 – 35° C
Type of wood	OAK, ASH, AMERICAN WALNUT, CHERRY
Optic	DIFF (PMMA diffusor)
Materials inside ring	Powder coated aluminium, brushed aluminium, brass, copper
Surface treatment	Natural, oiled, fire-proof coating, anti-bacterial coating

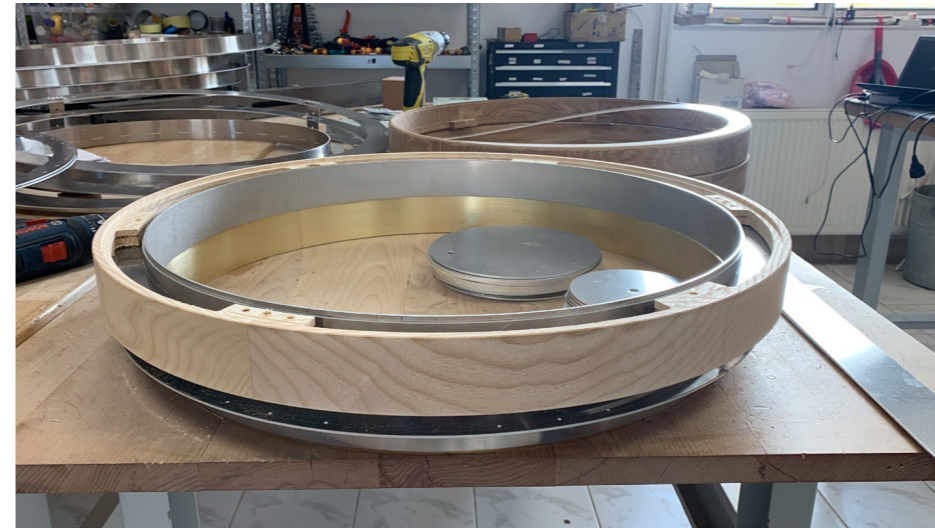


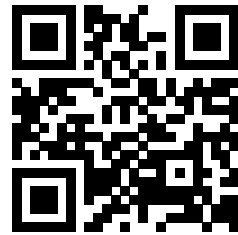
WOOD RING DUAL LED 1160



Order code example	WRI1160x52DUAL-92-930-DIFF-OAK-FIX
Lumen output	5915 lm @3000K
Power consumption	92 W
Color temperature	2700K, 3000K, 4000K, TW 2700-6500K
Color rendering	CRI 95 typical
Type of installation	Suspended, surface mounted
Driver placement	Inside or on the ceiling (ceiling cover 200mm)
Driver types	FIX (on/off), DALI, BT (Casambi bluetooth)
Ambient temperature rating	0 – 35° C
Type of wood	OAK, ASH, AMERICAN WALNUT, CHERRY
Optic	DIFF (PMMA diffusor)
Materials inside ring	Powder coated aluminum, brushed aluminium, brass, copper
Surface treatment	Natural, oiled, fire-proof coating, anti-bacterial coating

PRODUCTION INSIGHTS





seTup.lighting
VISIBLE EMOTIONS

2023 - 2024

www.setup.lighting
+421917684366
office@setup.lighting
Opoj 335, SK - 919 32 OPOJ