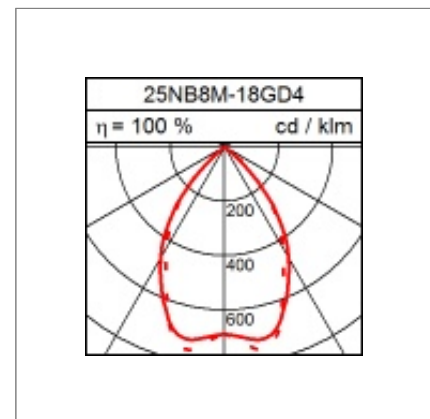
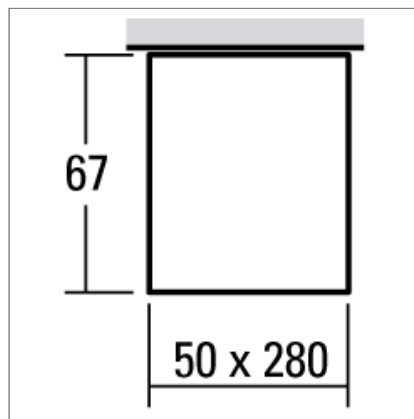
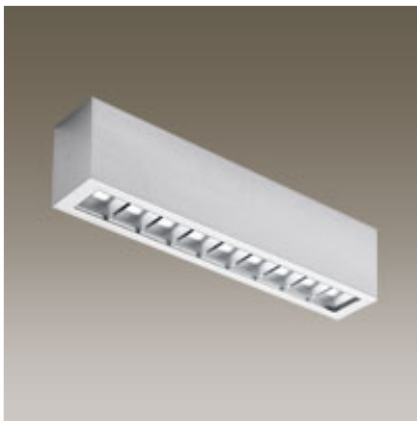




## Technical Data

### Ceiling mounted LED luminaire PIXEL DALI

14.8W LED, 1251 Lumen, 4000 Kelvin. IP30. Satinated acrylic glass. Smoothed aluminium. Symmetric light distribution. Aluminium casted housing for ceiling montage. With electronic ballast.



### Product data

Item number	25NB8M-18GD4
Dimensions	
Lamp	LED
Equipment	19.3W
System output	14.8W
Ballast	
Assemblypoints Distance	
Weight	
Safety signs	IP30   CE

### Light data

Optical Light Output Ratio	100 %
Light direct/non direct Ratio	100 % / 0 %
Absolute luminous flux	1251 lm
Lightoutput (lm/W)	84.53

### Glare rating UGR

X=4H, Y=8H, S=0,25H  
Deg. of reflection 70/50/20

Perpendicular Zero	21.1
Perpendicular Ninety	21.3