



LED Panel UGR<19

Recessed LED panel very thin, for suspended ceiling tiles or plaster ceilings (with special accessory). It could be also suspended with an aluminium towline of between 1 and 4 metres (but driver will be visible).

Body: First quality aluminium, electrostatic paint in white polyester, stable to ultraviolet rays.

Wiring: As required on UNE-EN 60598 and also accomplishing the exigencies about electromagnetic compatibility and Electric Security (CE marked).

Driver : Philips Xitanium...

Under request, also available dimmable: DALI or 1-10V

Optic component: Micro-prism diffuser (URG<19)

With Samsung SMD LEDs chips

LED



Driver



Power: **AC 220-240V**

Ripple (no flickering): **4%**

Power Factor: **0,95**

Efficiency: **90%**

Beam angle: **80°**

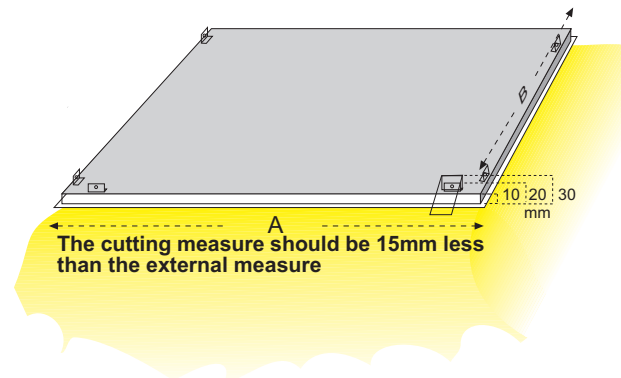
CRI: **> 80**

IP: **20** (interior) **54** (exterior)

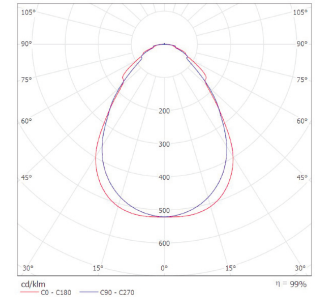
Life span: **50.000h**

L90B50

Colour:
white



Luminaria: IRELUZ IRD-2561-4000k



Reference	Dimensions A- millimeters -B	K (temperature)	VDC (min-max)	mA	W	Lumens LED
IRD-2561	595 x 595	4000 K	37.8 - 41.9v	1050	40W	5200 Lm
IRD-2562	295 x 1195	4000 K	37.8 - 41.9v	1050	40W	5200 Lm