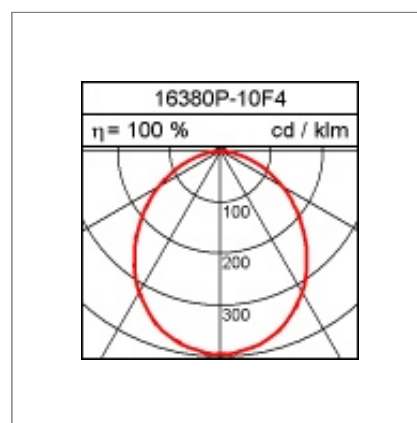
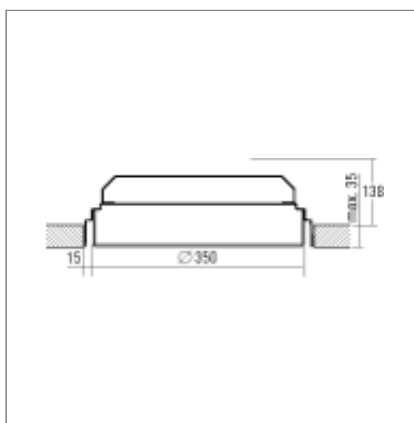



Technical Data

Recessed LED luminaire SPIN

11.6W LED, 1050 Lumen, 4000 Kelvin. Ø 350 mm, H max. 173 mm, IP20. Für Einbau in Hohldecke zum frontbündigen einputzen, weiss, inkl. Montagebügel. Acrylglas satiné.



Product data

Item number	16380P-10F4
Dimensions	
Lamp	LED
Equipment	9.5W
System output	11.6W
Ballast	
Assemblypoints Distance	
Weight	
Safety signs	IP20 

Light data

Optical Light Output Ratio	100 %
Light direct/non direct Ratio	100 % / 0 %
Absolute luminous flux	1050 lm
Lightoutput (lm/W)	90.52

Glare rating UGR

X=4H, Y=8H, S=0,25H
Deg. of reflection 70/50/20

Perpendicular Zero	20.0
Perpendicular Ninty	20.0