

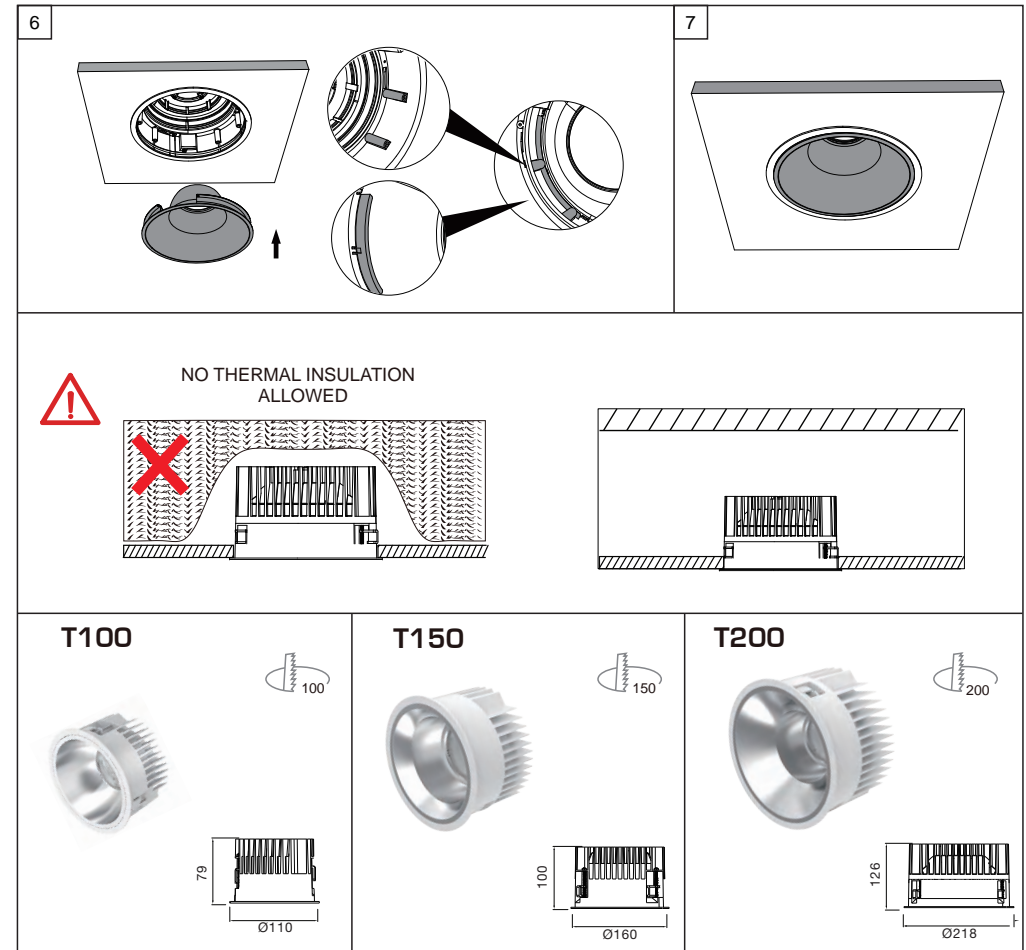
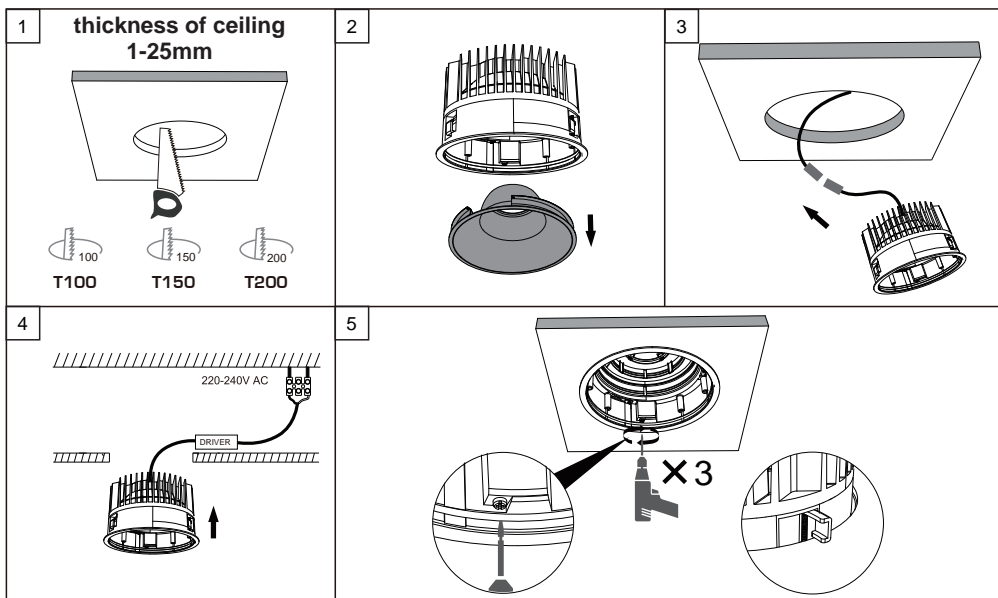
LED Downlight TAKEO series Installation Instruction

NEKO



Please read these instructions carefully before commencing installation and retain for future reference. If in doubt, we advise that you consult a qualified electrician to install the product. These products must not be modified. If any modification is made it may invalidate the warranty and may render the product unsafe. All electrical installations must be carried out according to current IEE Wiring Regulations.

Type Non-IC Recessed
Use only with Class 2 power unit
Access above ceiling required
Warning-Risk of Fire. Do not install insulation within 3 inches of unit sides or above unit in such a manner to entrap heat
Suitable for dry locations



Important safety Notes

1. Switch off the electricity at the mains before commencing installation or lamp change and (if a fuse box is used) remove the appropriate circuit fuse to avoid accidental switching on of the mains supply.
2. Make sure all connections are tight with no loose strands.
3. Ensure fire regulations are not breached when fitting your lights.

Warning:

1. For indoor use only.
2. Please ensure that the packaging is disposed of in a safe environment.
3. If cable is defected, do not use or exchange the cable.
4. Do not connect the light engine to the mains voltage directly.
5. Do not look at the lighted lamp directly.
6. We do recommend that a qualified electrician should be used to install the products.

CE

NEKO LIGHTING AG
www.nekolighting.com

CE

NEKO LIGHTING AG
www.nekolighting.com