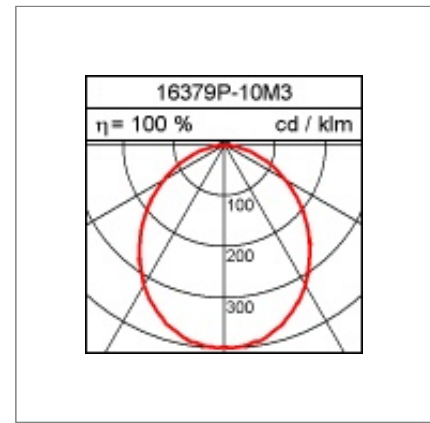
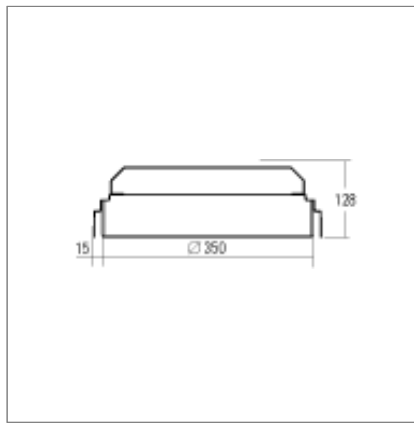





Technical Data

Recessed LED luminaire SPIN

12.5W LED, 1152 Lumen, 3000 Kelvin. Ø 350 mm, H 128 mm, IP20. With electronic ballast. For mounting in casting drum for level plasterwork, white. Satinated acrylic glass.



Product data

Item number	16379P-10M3
Dimensions	
Lamp	LED
Equipment	10.2W
System output	12.5W
Ballast	
Assemblypoints Distance	
Weight	
Safety signs	IP20   

Light data

Optical Light Output Ratio	100 %
Light direct/non direct Ratio	100 % / 0 %
Absolute luminous flux	1152 lm
Lightoutput (lm/W)	92.16

Glare rating UGR

X=4H, Y=8H, S=0,25H
Deg. of reflection 70/50/20

Perpendicular Zero	20.3
Perpendicular Ninety	20.4