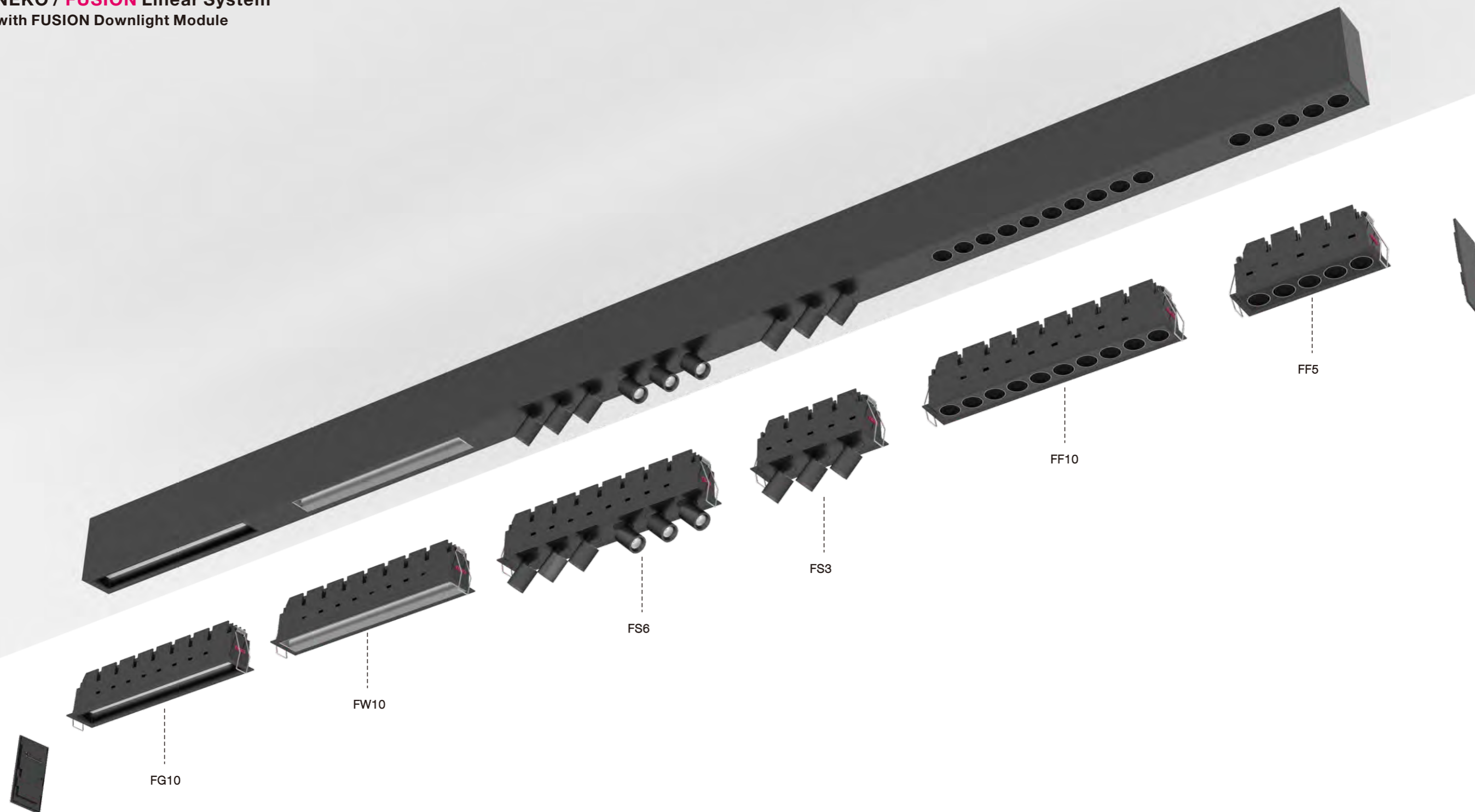


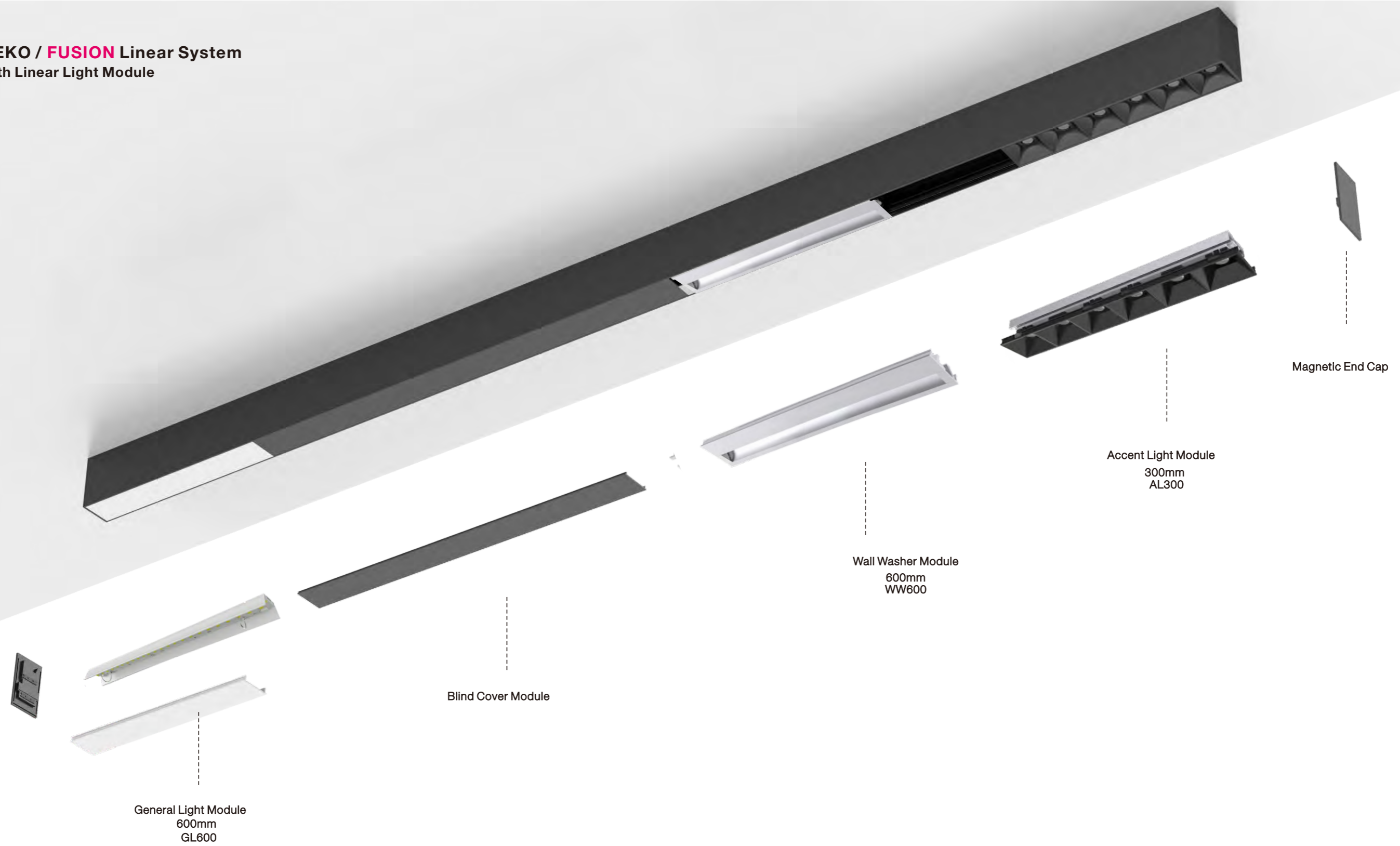
**NEKO / FUSION Linear System**  
with FUSION Downlight Module



- Aufbau-, Einbau- und Pendelleuchte
- Einfache und unbegrenzte Längenbestimmung, nahtlose Verbindung
- Das Profil kann als einzelne, allgemeine, wallwasher oder mit verschiedenen und unterschiedlichen Modulen bestückt werden
- Modulares Profildesign ohne sichtbaren Schrauben, Standardlänge 1,2 m & 1,5 m.
- Aluminiumprofil, Farbwahl weiß / schwarz / natur eloxiertem Aluminium
- Pendelleuchte mit 2000mm Seilaufhängung, werkzeuglose Höhenverstellung
- Hoher Sehkomfort, UGR <19
- LED 3000K / 4000K, Binning <3 step MacAdam, CRI 80/90

- Suspended, surface mounted and recessed mounted luminaires
- Easy and unlimited length adjustment, seamless connection
- Can be used as single fixed / general light / spotlight / wall washer / MIXED.
- Modular profile design with no visible screws, standard length 1.2m & 1.5m.
- Aluminum profile, color choices white / black / natural anodized aluminum
- Suspended luminaire with 2000mm cable suspension, tool free height adjustment.
- High visual comfort, UGR<19
- LED 3000K/ 4000K, binning ≤ 3 step MacAdam, CRI 80/ 90.

**NEKO / FUSION Linear System**  
with Linear Light Module

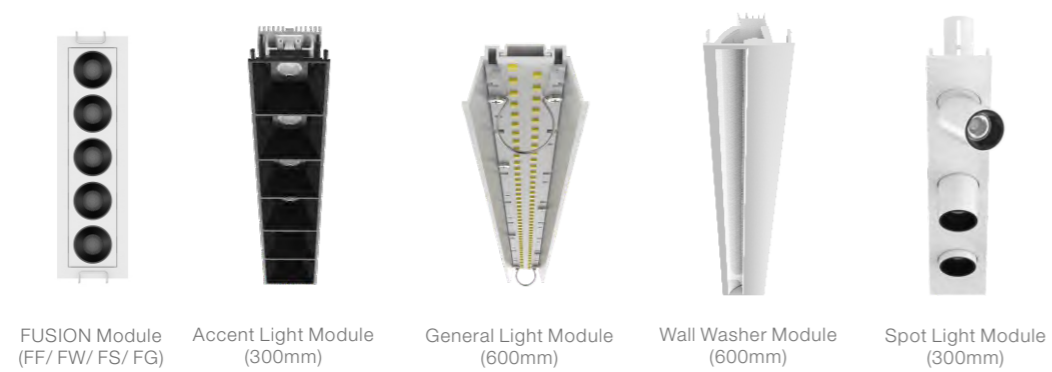


- Schönes Profilsystem aus Aluminiumdruckguss und mit 50 mm Breite
- Verschiedenste Lichtmodule für beste und individuelle Lichtlösungen
- Akzent-, Allgemein- und Spotbeleuchtung – auch Wallwasher Modul vorhanden
- Komplett werkzeuglose Montage
- Standard und kundenspezifische Längen
- Magnetische Endkappen – keine Schrauben sichtbar

- Profile system made of extruded aluminium with 50mm width.
- Various lighting modules with multiple lighting applications.
- General light, accent light, wall washer and spotlight module for choice.
- Tool-free inserts mounting by clip-in mechanism.
- Standard and customized length of module and cover for high precise system.
- Magnetic end cap without fixing screws.



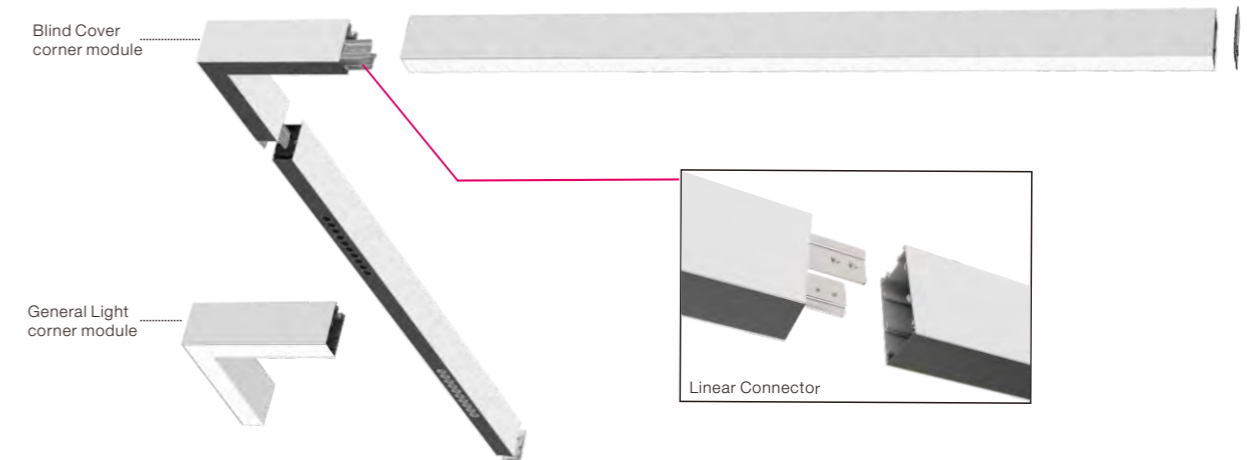
Inserts



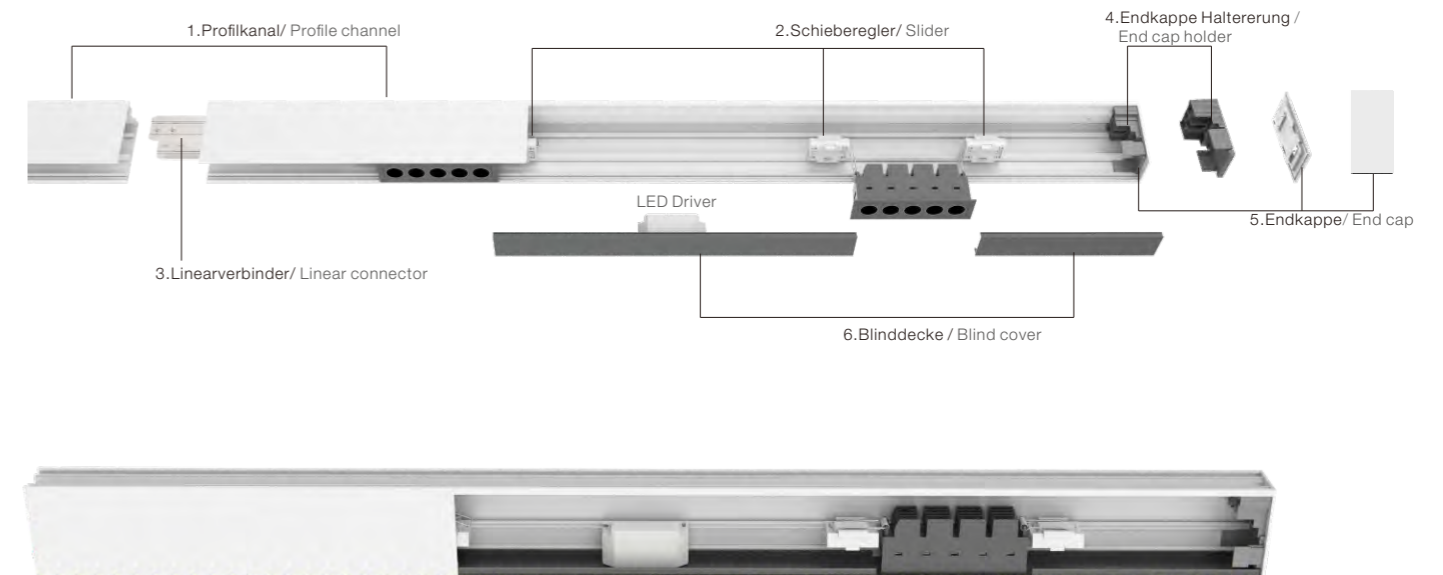
Covers



Corner Modules and Linear Connector

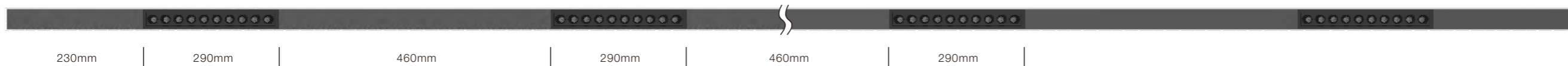
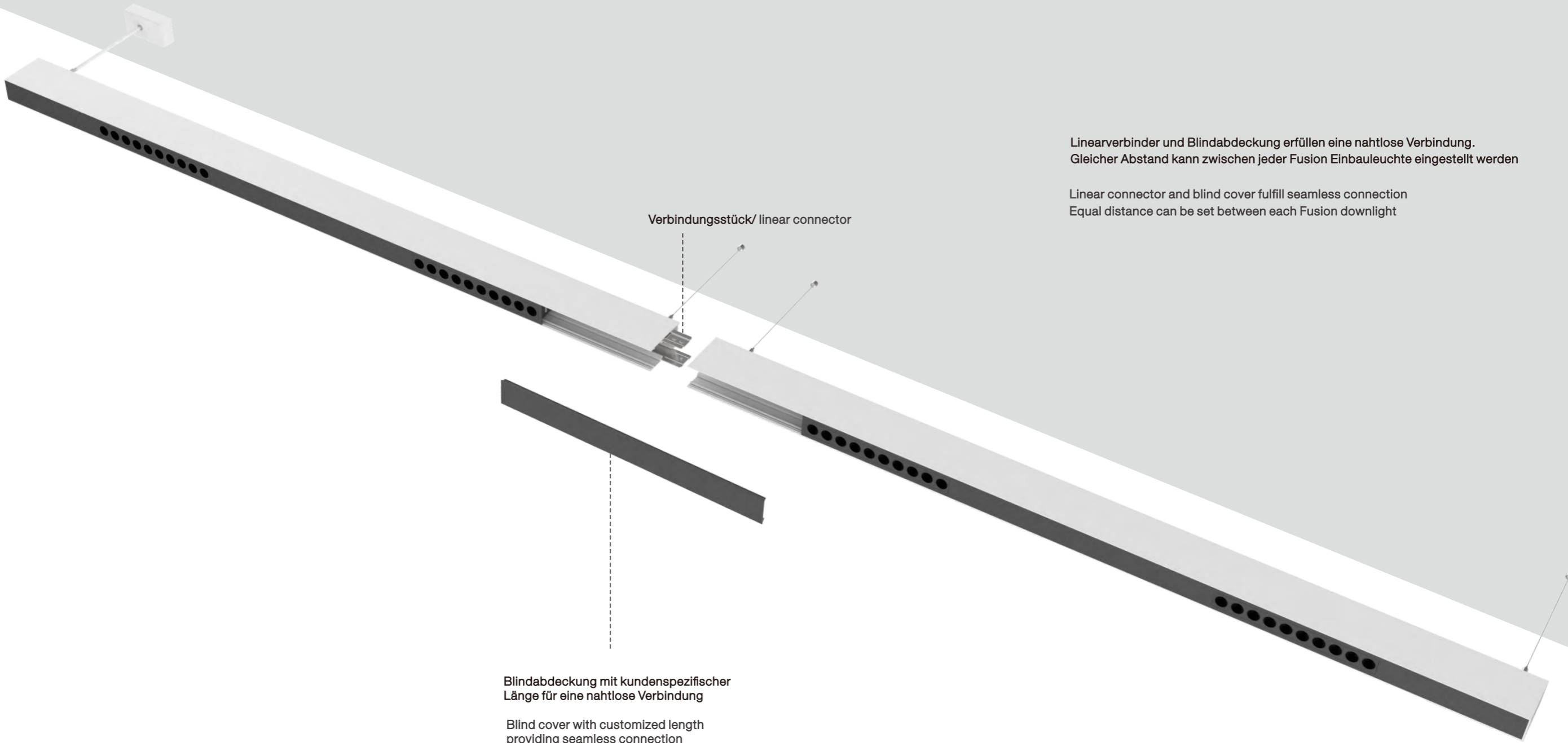


System details



Intelligentes Linear-Profil-Design  
 Einfachste Installation der Fusion-Einbauleuchte in den Profilkanal

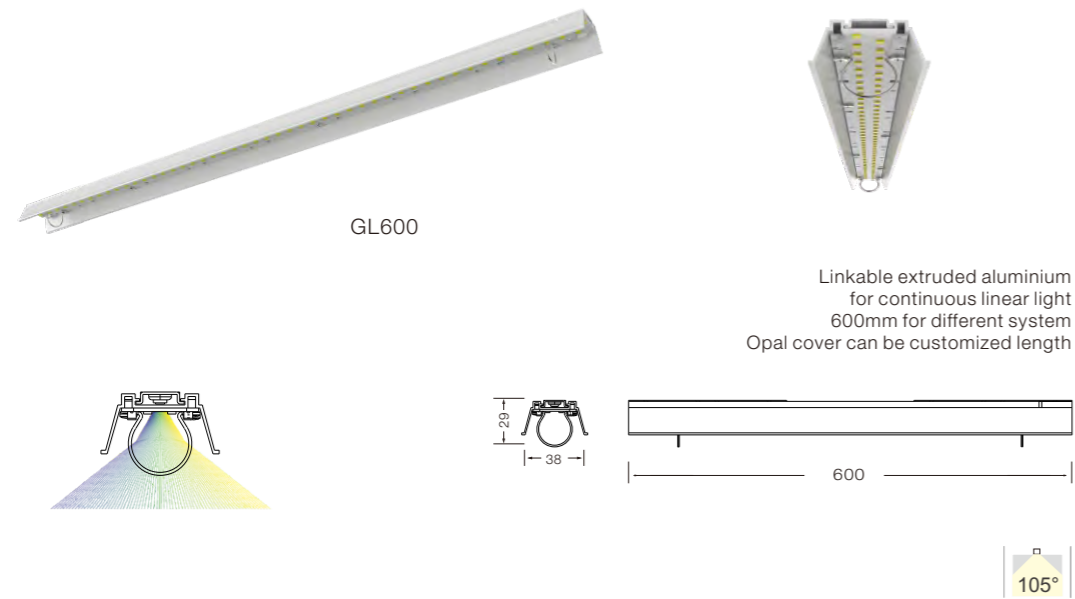
Smart linear profile design  
 Easy to install fusion downlight into profile channel



# NEKO / FUSION Linear System

## Linear Light module

### General Light Module



### Order Information

#### GL600-11W

SAMSUNG LED powered by 250mA constant current LED driver

Model	LED Power	System Power	LED Voltage	LED Current	CRI	CCT	BEAM	LED output	System output
GL600-11W-830	11 W	13 W	46 V	250 mA	80	3000K	105°	1500 lm	1100 lm
GL600-11W-840	11 W	13 W	46 V	250 mA	80	4000K	105°	1600 lm	1200 lm

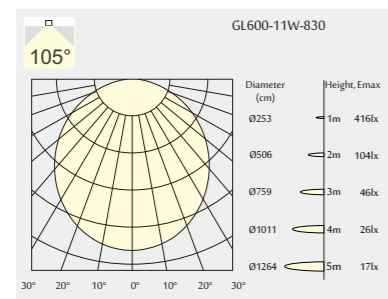
#### GL600-16W

SAMSUNG LED powered by 350mA constant current LED driver

Model	LED Power	System Power	LED Voltage	LED Current	CRI	CCT	BEAM	LED output	System output
GL600-16W-830	16 W	18 W	46 V	350 mA	80	3000K	105°	2100 lm	1600 lm
GL600-16W-840	16 W	18 W	46 V	350 mA	80	4000K	105°	2300 lm	1700 lm

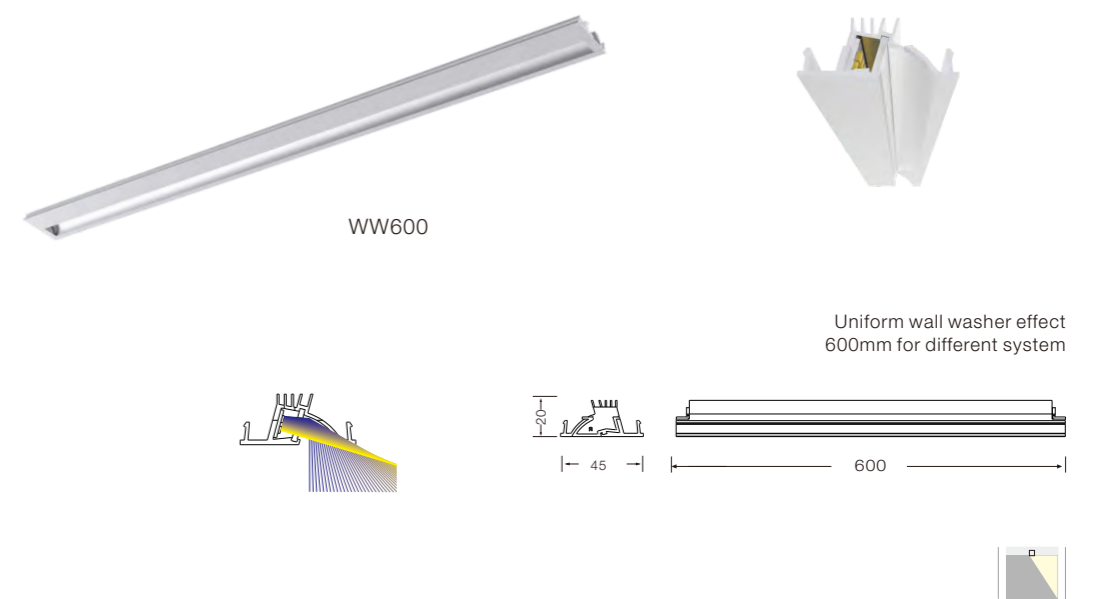
### Light Distribution

3000K



For more info see: [www.nekolighting.com](http://www.nekolighting.com)

### Wallwasher Module



### Order Information

#### WW600-11W

SAMSUNG LED powered by 250mA constant current LED driver

Model	LED Power	System Power	LED Voltage	LED Current	CRI	CCT	LED output	System output
WW600-11W-830	11 W	13 W	46 V	250 mA	80	3000K	1500 lm	900 lm
WW600-11W-840	11 W	13 W	46 V	250 mA	80	4000K	1600 lm	950 lm

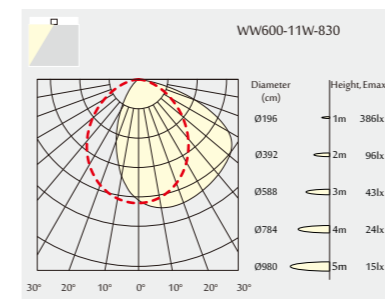
#### WW600-16W

SAMSUNG LED powered by 350mA constant current LED driver

Model	LED Power	System Power	LED Voltage	LED Current	CRI	CCT	LED output	System output
WW600-16W-830	16 W	18 W	46 V	350 mA	80	3000K	2100 lm	1200 lm
WW600-16W-840	16 W	18 W	46 V	350 mA	80	4000K	2300 lm	1300 lm

### Light Distribution

3000K

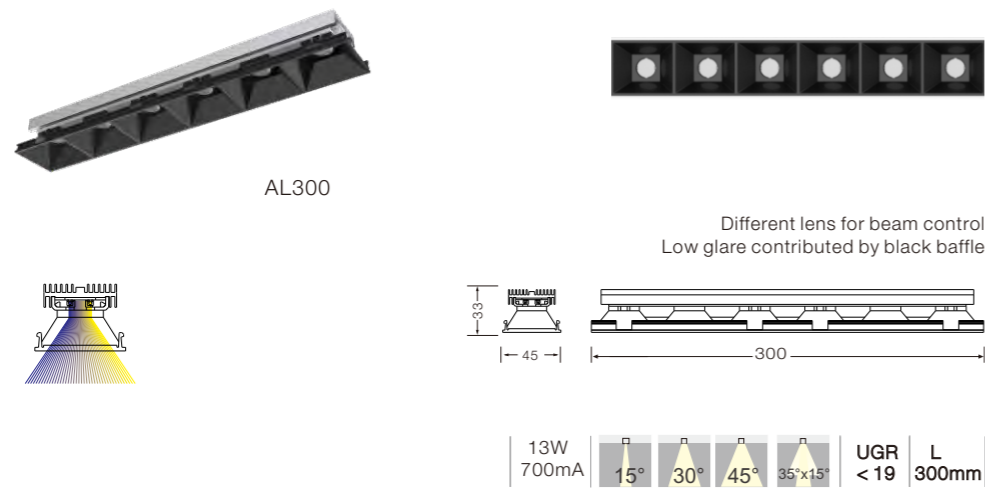


For more info see: [www.nekolighting.com](http://www.nekolighting.com)

# NEKO / FUSION Linear System

## Linear Light module

### Accent Light Module



### Order Information

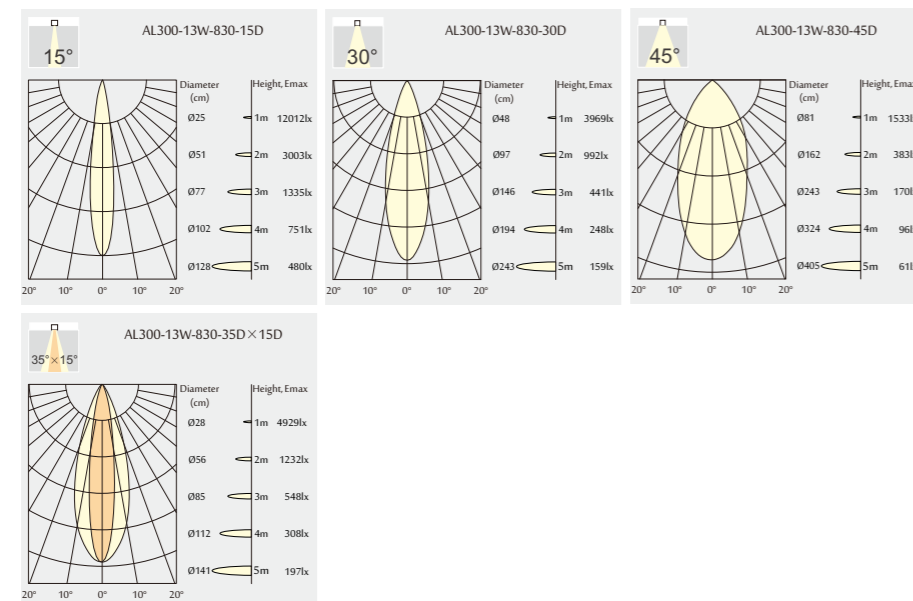
#### AL300-13W

CREE LED powered by 700mA constant current LED driver

Model	LED Power	System Power	LED Voltage	LED Current	CRI	CCT	BEAM	LED output	System output
AL300-13W-830-15D	13 W	15 W	18 V	700 mA	80	3000K	15°	1400 lm	1100 lm
AL300-13W-840-15D	13 W	15 W	18 V	700 mA	80	4000K	15°	1500 lm	1200 lm
AL300-13W-830-30D	13 W	15 W	18 V	700 mA	80	3000K	30°	1400 lm	1100 lm
AL300-13W-840-30D	13 W	15 W	18 V	700 mA	80	4000K	30°	1500 lm	1200 lm
AL300-13W-830-45D	13 W	15 W	18 V	700 mA	80	3000K	45°	1400 lm	1100 lm
AL300-13W-840-45D	13 W	15 W	18 V	700 mA	80	4000K	45°	1500 lm	1200 lm
AL300-13W-830-35D×15D	13 W	15 W	18 V	700 mA	80	3000K	30°	1400 lm	1100 lm
AL300-13W-840-35D×15D	13 W	15 W	18 V	700 mA	80	4000K	30°	1500 lm	1200 lm

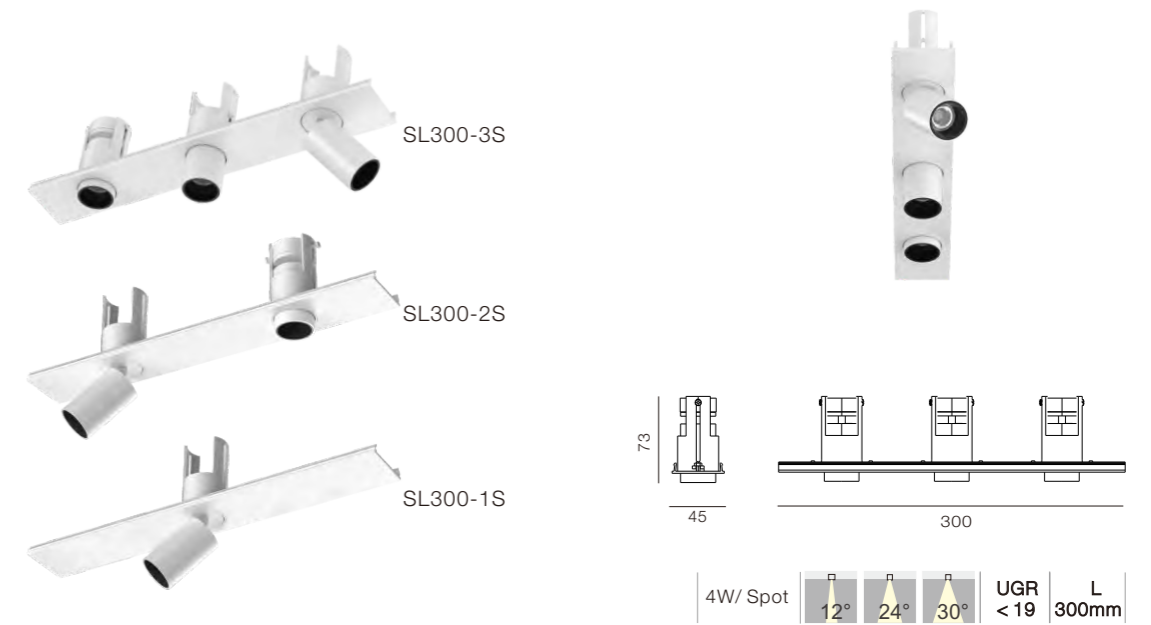
### Light Distribution

3000K



For more info see: [www.nekolighting.com](http://www.nekolighting.com)

### Spot Light Module



### Order Information

#### SL300-3S-13W

CREE LED powered by 700mA constant current LED driver

Model	LED Power	System Power	LED Voltage	LED Current	CRI	CCT	BEAM	LED output	System output
SL300-3S-13W-830-12D/24D/30D	13 W	15 W	36 V	350 mA	80	3000K	12°/24°/30°	1300 lm	1000 lm
SL300-3S-13W-840-12D/24D/30D	13 W	15 W	36 V	350 mA	80	4000K	12°/24°/30°	1400 lm	1100 lm

#### SL300-2S-8W

CREE LED powered by 700mA constant current LED driver

Model	LED Power	System Power	LED Voltage	LED Current	CRI	CCT	BEAM	LED output	System output
SL300-2S-8W-830-12D/24D/30D	8 W	10 W	24 V	350 mA	80	3000K	12°/24°/30°	900 lm	700 lm
SL300-2S-8W-840-12D/24D/30D	8 W	10 W	24 V	350 mA	80	4000K	12°/24°/30°	950 lm	750 lm

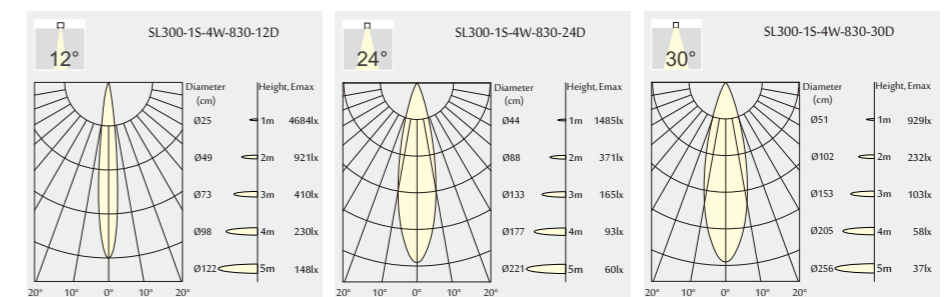
#### SL300-1S-4W

CREE LED powered by 700mA constant current LED driver

Model	LED Power	System Power	LED Voltage	LED Current	CRI	CCT	BEAM	LED output	System output
SL300-1S-4W-830-12D/24D/30D	4 W	6 W	12 V	350 mA	80	3000K	12°/24°/30°	450 lm	350 lm
SL300-1S-4W-840-12D/24D/30D	4 W	6 W	12 V	350 mA	80	4000K	12°/24°/30°	480 lm	380 lm

### Light Distribution

3000K

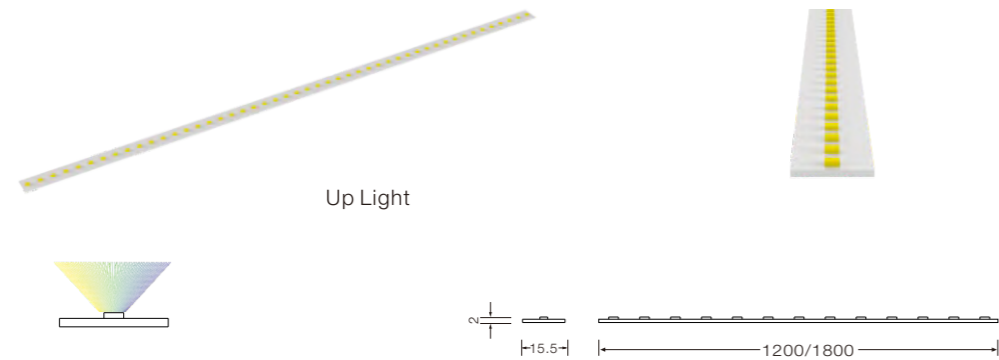


For more info see: [www.nekolighting.com](http://www.nekolighting.com)

# NEKO / FUSION Linear System

## Linear Light module

### Up Light Module



### Order Information

#### UL1200-11W

SAMSUNG LED powered by 250mA constant current LED driver

Model	LED Power	System Power	LED Voltage	LED Current	CRI	CCT	LED output	System output
UL1200-11W-830	11 W	13 W	46 V	250 mA	80	3000K	1500 lm	1100 lm
UL1200-11W-840	11 W	13 W	46 V	250 mA	80	4000K	1600 lm	1200 lm

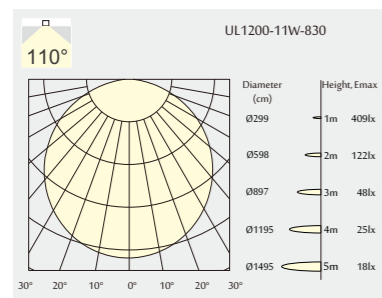
#### UL1800-15W

SAMSUNG LED powered by 350mA constant current LED driver

Model	LED Power	System Power	LED Voltage	LED Current	CRI	CCT	LED output	System output
UL1800-15W-830	15 W	18 W	46 V	350 mA	80	3000K	2100 lm	1600 lm
UL1800-15W-840	15 W	18 W	46 V	350 mA	80	4000K	2300 lm	1700 lm

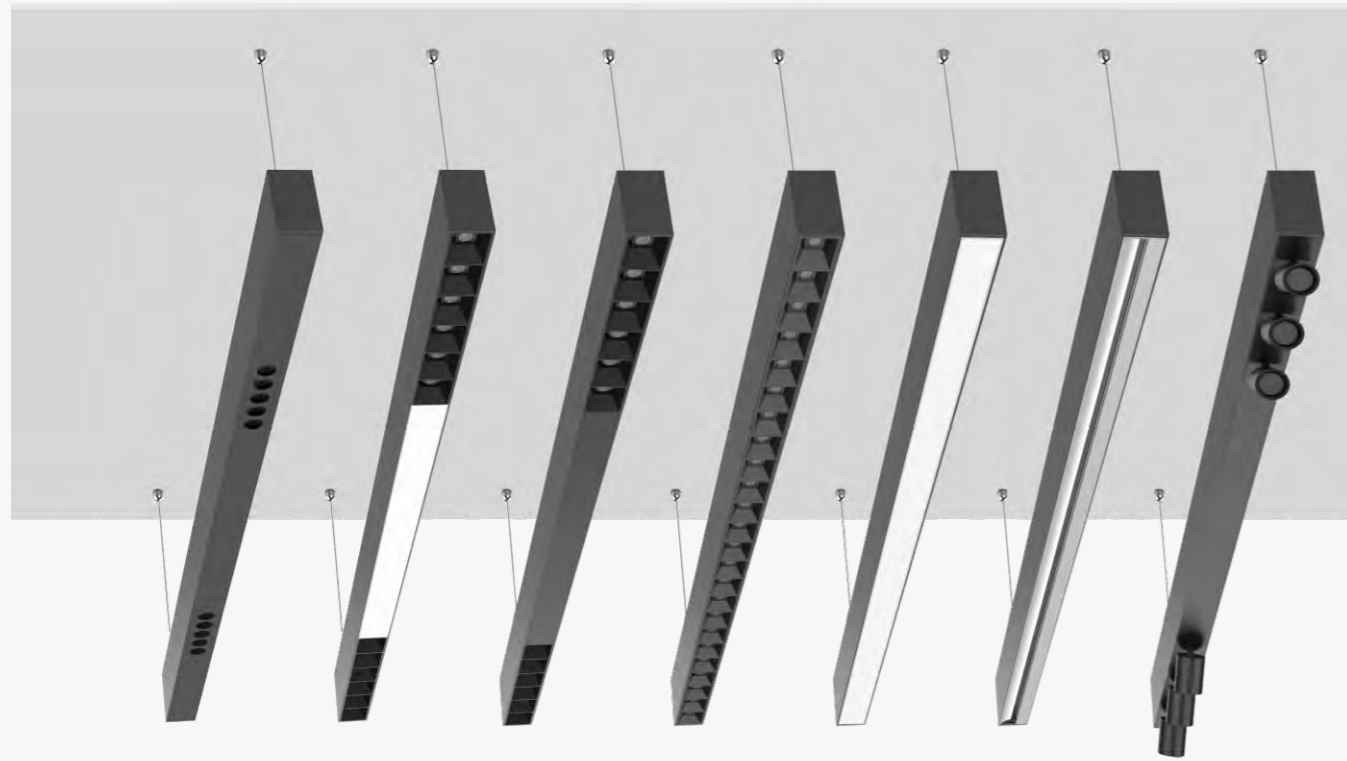
### Light Distribution

3000K

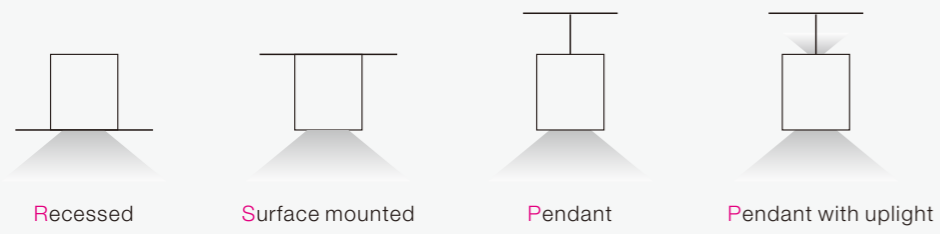


For more info see: [www.nekolighting.com](http://www.nekolighting.com)

# NEKO/FUSION Linear System



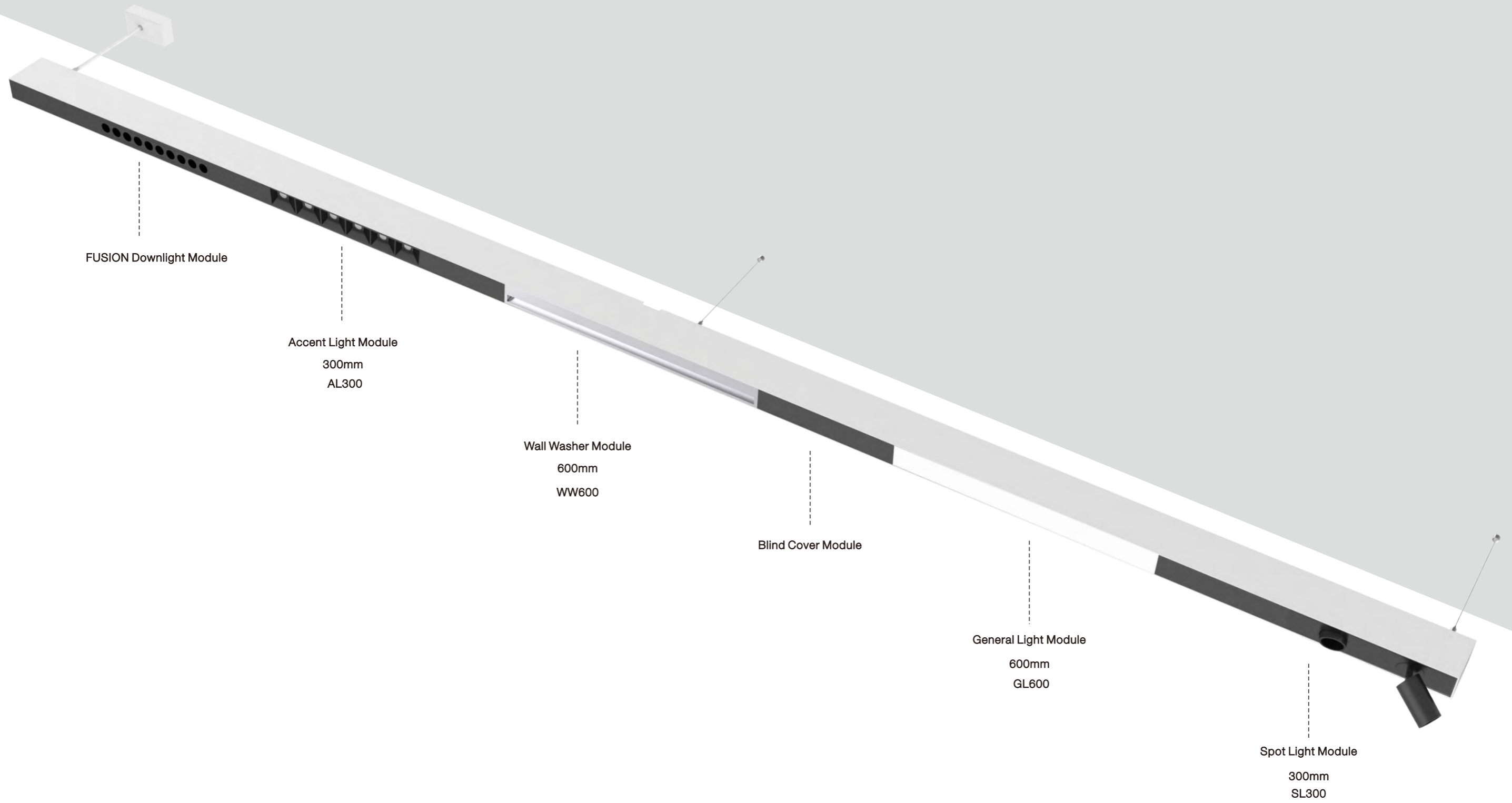
## Available mounting type







**NEKO/FUSION Linear System**  
More modules combination available



Linear System with more modules combination available.  
All available with Suspended, surface mounted and recessed mounted versions.