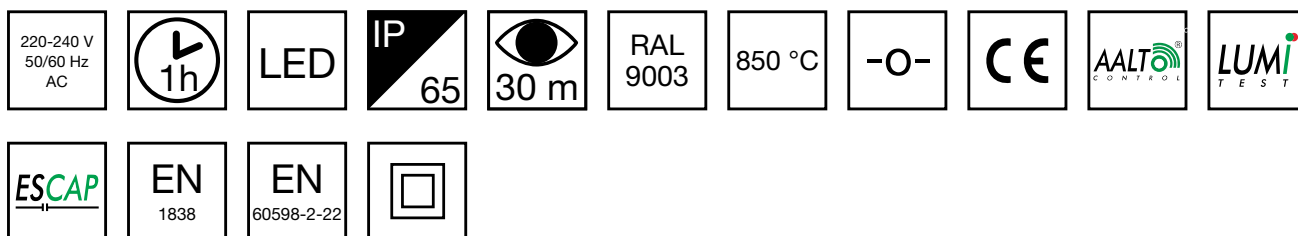


SOLID EXIT EMERGENCY EXIT LIGHT TWS3092WA



Self-contained Escap emergency exit light with 1 h super capacitor and wireless central monitoring

Solid is Teknoware's IP65 class exit and emergency light product family. Solid is designed for demanding conditions. Wall mounted, one sided Solid exit light comes with easily changeable pictograms. Special attention has been paid to the design, for easy installation.

The luminaire is completely dust proof and water proof, so it is suitable for example for industrial premises and parking halls. Escap and centrally supplied luminaires are suitable also for outdoor use.

The range also has a model with a downlight function, which is suitable for example for mounting above a door.

Product Code	TWS3092WA
Feature	Aalto Control, Escap, Lumi Test
Mounting (standard)	wall, surface
Customs Code	94056080
GTIN Code	6438045021096
ETIM Product Class	EC001957
Length	371 mm
Width	181 mm
Height	57 mm
Weight	1,35 kg
Backup	1 h
Max Input Power VA	4 VA
Nominal Supply Voltage	220-240 V, 50/60 Hz AC
Protection Class	II
IP Class	IP65
Temperature Range Min - Max	-25...+35 °C
Glow Wire Test of Plastic Materials	850 °C
Viewing Distance	30 m
Light Source	LED
Body Material	plastic
Colour	RAL9003
Electrical Installation	2/3 x 2,5 mm ²

ONE OR MORE OF THESE IS ALSO REQUIRED:

PICTOGRAMS FOR EMERGENCY EXIT LIGHTS



Product Code	Pictogram	Viewing Distance (m)	Compatible Product Groups
PB3001E		30	Solid Exit Emergency Exit Lights

We reserve the rights to make modifications without notice.
 Copyright © 2022 Teknoware. All rights reserved.
 Date: December 14, 2022 | Source:
www.teknoware.com/en/emergency-lighting-1/solid-exit-emergency-exit-light-tws3092wa



Teknoware Oy | P.O. Box 19, 15101 Lahti | Ilmarisentie 8, 15200 Lahti Finland
 Tel +358 3 883 020 | VAT-number FI01494751 | teknoware.com | emexit@teknoware.com

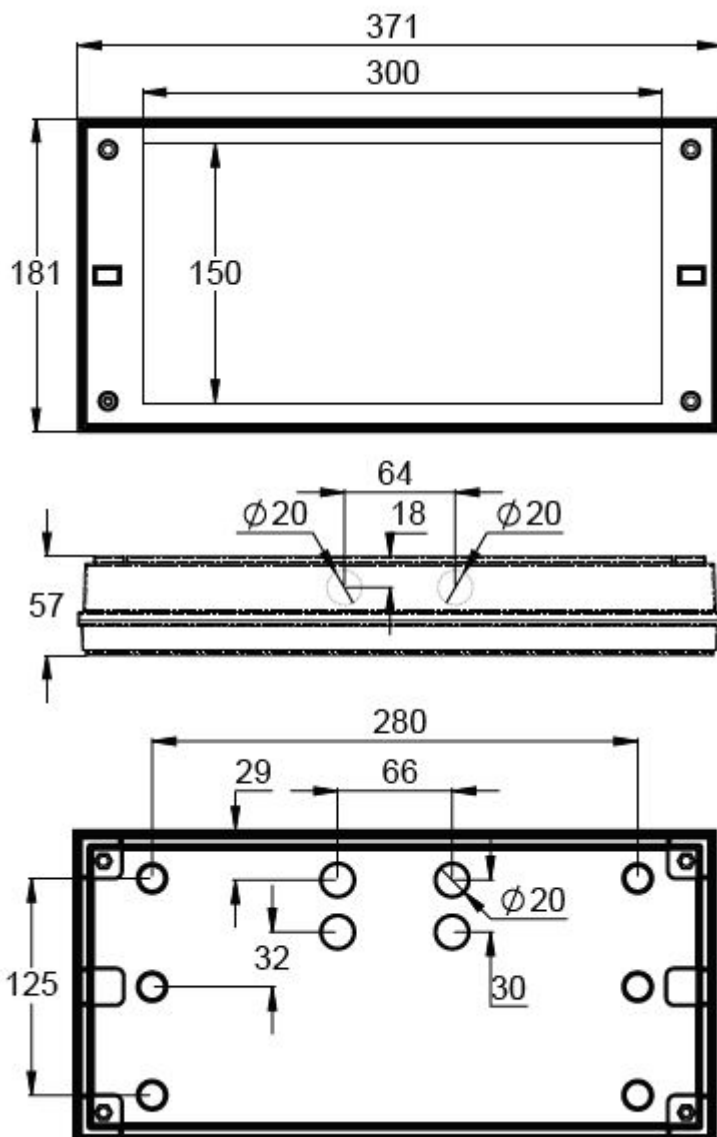
Product Code	Pictogram	Viewing Distance (m)	Compatible Product Groups
PB3002E		30	Solid Exit Emergency Exit Lights
PB3003E		30	Solid Exit Emergency Exit Lights
PB3005E		30	Solid Exit Emergency Exit Lights

OPTIONAL ACCESSORIES:

OPTIONAL MOUNTING ACCESSORIES FOR EMERGENCY EXIT LIGHTS



Product Code	Product Name	Compatible Product Groups
TWT3001	Solid Recess Mounting Frame TWT3001	Solid Exit Emergency Exit Lights, Solid Exit 2 Emergency Exit Lights, Solid: Line Lowbay Emergency Lights, Solid: Line Midbay Emergency Lights, Solid: Zone Lowbay Emergency Lights, Solid: Zone Midbay Emergency Lights
TWT3002	Solid Wall bracket TWT3002	Solid Exit Emergency Exit Lights, Solid Exit 2 Emergency Exit Lights, Solid: Line Lowbay Emergency Lights, Solid: Line Midbay Emergency Lights, Solid: Zone Lowbay Emergency Lights, Solid: Zone Midbay Emergency Lights
TWT3003	Solid Flag bracket TWT3003	Solid Exit Emergency Exit Lights, Solid Exit 2 Emergency Exit Lights, Solid: Line Lowbay Emergency Lights, Solid: Line Midbay Emergency Lights, Solid: Zone Lowbay Emergency Lights, Solid: Zone Midbay Emergency Lights
TWT3004	Solid Ceiling bracket TWT3004	Solid Exit Emergency Exit Lights, Solid Exit 2 Emergency Exit Lights, Solid: Line Lowbay Emergency Lights, Solid: Line Midbay Emergency Lights, Solid: Zone Lowbay Emergency Lights, Solid: Zone Midbay Emergency Lights



We reserve the rights to make modifications without notice.
 Copyright © 2022 Teknoware. All rights reserved.
 Date: December 14, 2022 | Source:
www.teknoware.com/en/emergency-lighting-1/solid-exit-emergency-exit-light-tws3092wa

Teknoware Oy | P.O. Box 19, 15101 Lahti | Ilmarisentie 8, 15200 Lahti Finland
 Tel +358 3 883 020 | VAT-number FI01494751 | teknoware.com | emexit@teknoware.com

