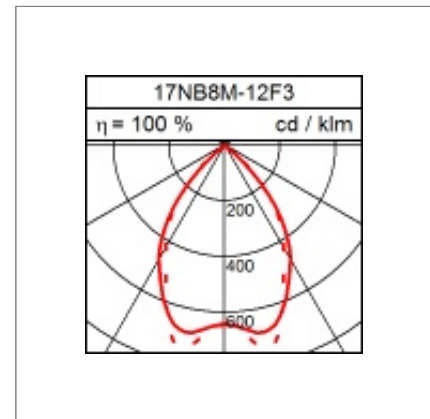
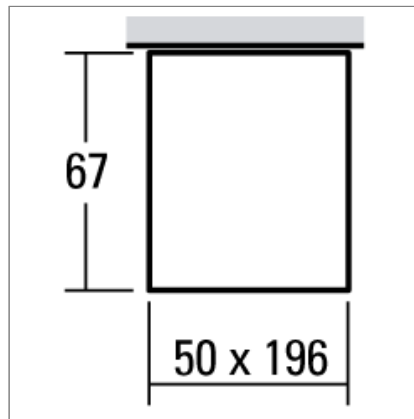
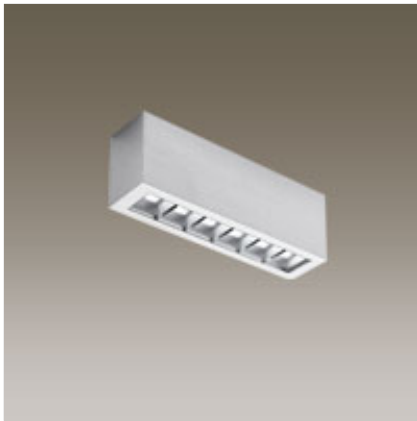





## Technical Data

### Ceiling mounted LED luminaire PIXEL

9.8W LED, 768 Lumen, 3000 Kelvin. IP30. Satinated acrylic glass. Smoothed aluminium. Symmetric light distribution. Aluminium casted housing for ceiling montage. With electronic ballast.



### Product data

Item number	17NB8M-12F3
Dimensions	
Lamp	LED
Equipment	13.0W
System output	9.8W
Ballast	
Assemblypoints Distance	
Weight	
Safety signs	IP30   

### Light data

Optical Light Output Ratio	100 %
Light direct/non direct Ratio	100 % / 0 %
Absolute luminous flux	768 lm
Lightoutput (lm/W)	78.37

### Glare rating UGR

X=4H, Y=8H, S=0,25H  
Deg. of reflection 70/50/20

Perpendicular Zero	20.9
Perpendicular Ninty	21.1