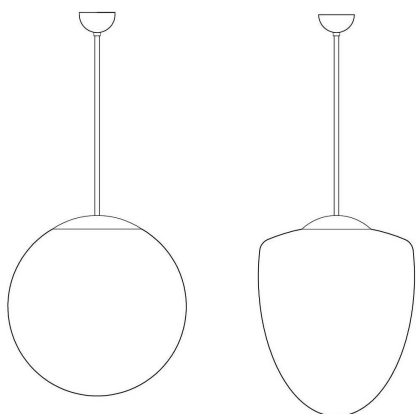


## INSTALLATION INSTRUCTIONS

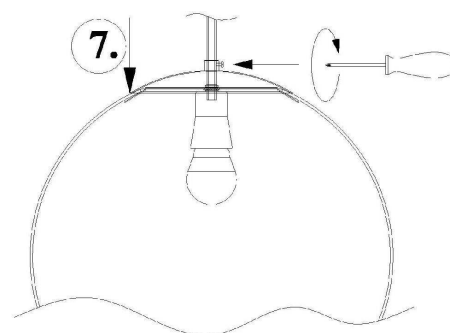
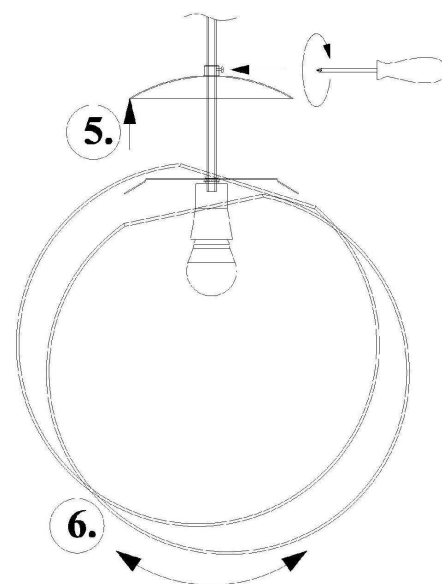
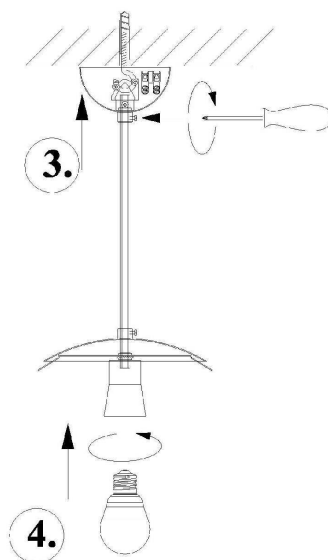
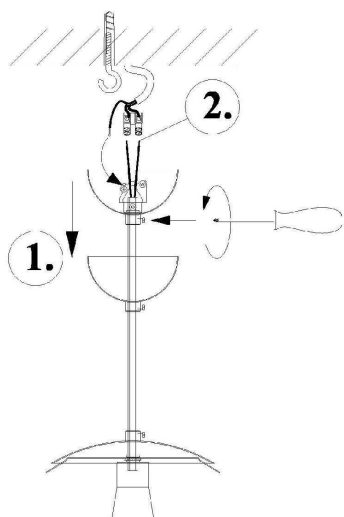
type: ADRIA (1-5), ASTRA, ISIS (3,4)

osmont



The luminaire can be used only as ceiling.

- check, if the electrical supply is switched off
- loosen the detent screw and dislocate the upper cover down (1)
- hang the ring lug on the hook, connect wires into the terminal block, earth wire to the ring lug (2)
- move the upper cover to the ceiling and tighten the detent screw (3)
- install the light source (see to the label on the luminaire) (4)
- loosen the detent screw on the lower cover, move it upwards and lightly tighten the screw (5)
- put the shade on (6)
- loosen the detent screw, move the lower cover on the shade and tighten again the screw (7)



### Electrical installation and safety :

Generally it is necessary to follow the EU regulations. At any revisions or service activity it is necessary to disconnect lighting fitting from the electrical network. Only qualified and experienced personnel must undertake this work