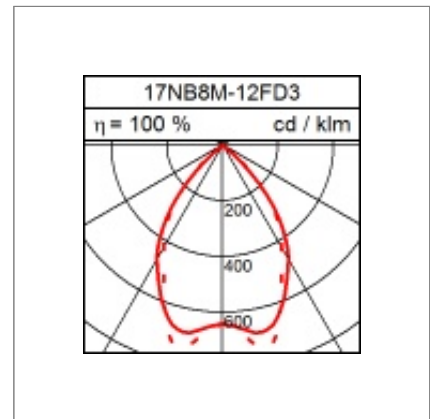
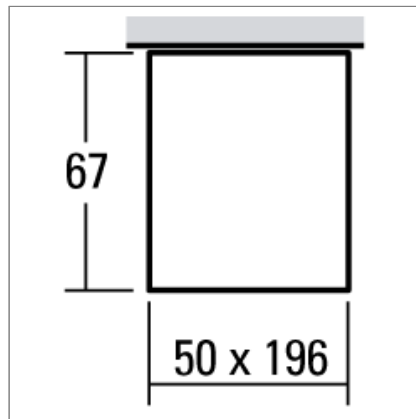
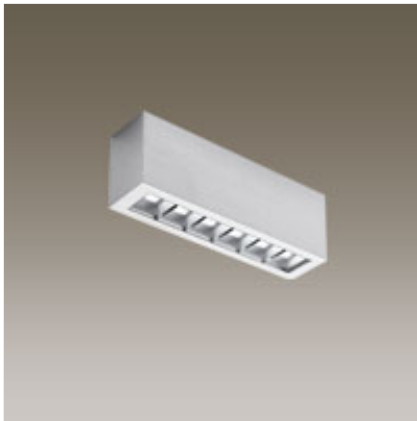





Technical Data

Ceiling mounted LED luminaire PIXEL DALI

9.8W LED, 768 Lumen, 3000 Kelvin. IP30. Satinated acrylic glass. Smoothed aluminium. Symmetric light distribution. Aluminium casted housing for ceiling montage. With electronic ballast.



Product data

Item number	17NB8M-12FD3
Dimensions	
Lamp	LED
Equipment	13.0W
System output	9.8W
Ballast	
Assemblypoints Distance	
Weight	
Safety signs	IP30   

Light data

Optical Light Output Ratio	100 %
Light direct/non direct Ratio	100 % / 0 %
Absolute luminous flux	768 lm
Lightoutput (lm/W)	78.37

Glare rating UGR

X=4H, Y=8H, S=0,25H
Deg. of reflection 70/50/20

Perpendicular Zero	20.9
Perpendicular Ninty	21.1