

AVR400

LED | TC | E27



AVR400 are stylish and effective luminaires for halls, corridors, offices and hotel rooms as well as in many applications at home. Luminaires are suitable both wet and dry premises.

SmartWay

Ensto SmartWay is a self-learning, wirelessly networked and future proof control system. SmartWay luminaires listen and learn by themselves and from each other to make sure that there is always light on your way. Plug'n play, no programming or commissioning needed.

Move!

Ensto Luminaires and movement detection is a base for many Smart Solutions but operate perfectly as a standalone versions as well. Ensto Move!-luminaires use PIR or Radar technique, depending on your projects and demand.

DALI

DALI drivers enable luminaires to be connected to DALI based control systems and Smart Buildings. Compared to a fixed output installation, the dimming and individual control capability provided by DALI enables considerable energy savings and control, depending on luminaire specifications.



"Big and powerful,
100% quality."



AVR400 + AVL59

Structure

- ▶ Diffuser opal polycarbonate
- ▶ Body polycarbonate
- ▶ Circular TC/S and bulb lamps are not included in the delivery. Other models light sources included, colour temperature 830.
- ▶ LED-models:
Connected load
18W, luminaire luminous flux 2090 lm (3000 K), 2260 lm (4000 K)
25W, luminaire luminous flux 2790 lm (3000 K), 3010 lm (4000 K)
3000/4000 K, Ra > 80, power factor 0,93
Ambient temperature - 20 °C - + 25 °C
LED-module lifespan 100 000 h (L80), T_a=25 °C

Control

- ▶ AVR400 PIR-type of luminaires are sensor luminaires equipped with infra-red motion sensor (PIR) in which are settings for time (3-30 min.), sensitivity and twilight switch function
- ▶ AVR400 RADAR-type of luminaires are sensor luminaires equipped with high-frequency radar to detect motion (Radar) in which are settings for time (1-30 min.), sensitivity and twilight switch function
- ▶ AVR400 SmartWay luminaires with motion sensor (PIR) and self-learning wireless control. Factory settings 1 min time and 2 min base light.
- ▶ 1-10V
- ▶ DALI
- ▶ Switch-control

Mounting

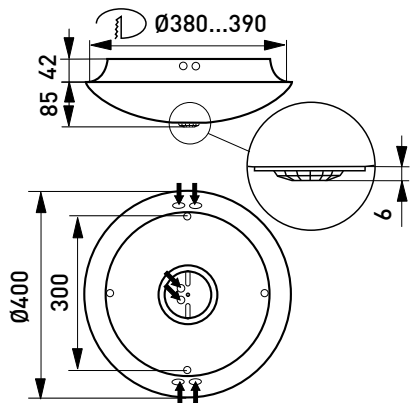
- ▶ To the ceiling and to the wall or partly recessed
- ▶ Fixing for recess mounting is included in the delivery
- ▶ Recess depth 42 mm, recess hole ø 390 mm, diffuser diameter ø 400 mm
- ▶ Snap-in terminal block 5x2,5 mm² with through wiring, PIR-/RADAR-models -o- 4/5x2,5 mm², controlled models 5x2,5 mm²+2x2,5 mm²
- ▶ Sensor luminaire models see more accurate information at WEB-site
PIR-models:
To the ceiling max. 4 meters height
To the wall max. 1,7 - 2,7 meters height
RADAR-models:
To the ceiling max. 3,5 meters height
To the wall 1,7- 2,7 meters height
Suitable for stand-alone and master-slave installation
Maximum load behind one master is 400VA, however max. 5 luminaires in the same control group
Slave luminaires from the Ensto basic luminaire range

E number	Type	Product name	Base	Kg	Luminous flux	Additional information
AVR400 LED universal luminaires						
42 173 56	AVR400.118L	AVR400 IP44 LED 18W/840 E PC O	LED	2,1	2260 lm	
42 173 89	AVR400.118L/3K	AVR400 IP44 LED 18W/830 E PC O	LED	2,1	2090 lm	
42 603 30	AVR400.125L	AVR400 IP44 LED 25W/840 E PC O	LED	2,1	3010 lm	
42 603 31	AVR400.125L/3K	AVR400 IP44 LED 25W/830 E PC O	LED	2,1	2790 lm	
AVR400 LED universal luminaires with 1-10V dimmable control gear						
42 173 80	AVR400.118DL	AVR400 IP44 LED 18W/840 D PC O	LED	2,1	2260 lm	
42 173 94	AVR400.118DL/3K	AVR400 IP44 LED 18W/830 D PC O	LED	2,1	2090 lm	
AVR400 LED universal luminaires with DALI control gear						
42 173 88	AVR400.118DDL	AVR400 IP44 LED 18W/840 DALI PC O	LED	2,1	2260 lm	
42 174 00	AVR400.118DDL/3K	AVR400 IP44 LED 18W/830 DALI PC O	LED	2,1	2090 lm	
42 903 31	AVR400.125DDL	AVR400 IP44 LED25W/840 DALI PC	LED	2,1	3010 lm	
42 903 32	AVR400.125DDL/3K	AVR400 IP44 LED25W/830 DALI PC	LED	2,1	2790 lm	

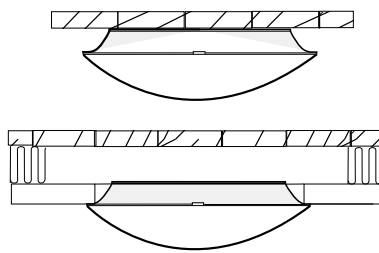


E number	Type	Product name	Base	Kg	Luminous flux	Additional information
AVR400 LED PIR sensor luminaire						
42 173 58	AVR400.1184L	AVR400 IP44 LED 18W/840 E PC O PIR	LED	2,2	2260 lm	
42 173 91	AVR400.1184L/3K	AVR400 IP44 LED 18W/830 E PC O PIR	LED	2,2	2090 lm	
42 603 25	AVR400.1254L	AVR400 IP44 LED 25W/840 E PC O PIR	LED	2,2	3010 lm	
42 603 26	AVR400.1254L/3K	AVR400 IP44 LED 25W/830 E PC O PIR	LED	2,2	2790 lm	
AVR400 LED RADAR sensor luminaire						
42 173 59	AVR400.1189L	AVR400 IP44 LED 18W/840 E PC O RAD	LED	2,2	2260 lm	
42 173 92	AVR400.1189L/3K	AVR400 IP44 LED 18W/830 E PC O RAD	LED	2,2	2090 lm	
42 603 27	AVR400.1259L	AVR400 IP44 LED 25W/840 E PC O RAD	LED	2,2	3010 lm	
42 603 28	AVR400.1259L/3K	AVR400 IP44 LED 25W/830 E PC O RAD	LED	2,2	2790 lm	
AVD400 LED PIR sensor luminaires with 1-10V dimmable electronic control gear. Base light level 5% and PIR controlled light level 100%						
42 173 85	AVR400.1186DL	AVR400 IP44 LED 18W/840 D PC O PIR	LED	2,2	2260 lm	
42 173 98	AVR400.1186DL/3K	AVR400 IP44 LED 18W/830 D PC O PIR	LED	2,2	2090 lm	
AVD400 LED PIR sensor luminaire with 1-10V dimmable electronic control gear. Base light level 5% or 20% and PIR controlled light level 80% or 100%						
42 173 82	AVR400.1185DL	AVR400 IP44 LED 18W/840 D PC O PIR	LED	2,2	2260 lm	
42 173 95	AVR400.1185DL/3K	AVR400 IP44 LED 18W/830 D PC O PIR	LED	2,2	2090 lm	
AVD400 LED radar sensor luminaire with 1-10V dimmable electronic control gear. Base light level 5% and radar controlled light level 100%						
42 173 83	AVR400.1189DL	AVR400 IP44 LED 18W/840 D PC O RAD	LED	2,2	2260 lm	
42 173 97	AVR400.1189DL/3K	AVR400 IP44 LED 18W/830 D PC O RAD	LED	2,2	2090 lm	
AVR400 LED PIR Smartway sensor luminaire						
42 903 24	AVR400.1187L/AA	AVR400 IP44 LED 18W/840 PIR AA	LED	2,2	2260 lm	
42 903 21	AVR400.1187L/3K/AA	AVR400 IP44 LED 18W/830 PIR AA	LED	2,2	2090 lm	
42 903 30	AVR400.1257L/AA	AVR400 IP44 LED 25W/840 PIR AA	LED	2,2	3010 lm	
42 903 27	AVR400.1257L/3K/AA	AVR400 IP44 LED 25W/830 PIR AA	LED	2,2	2790 lm	
AVR400 LED universal luminaires with 1 hour battery back-up						
42 173 79	AVR400.118L/1M	AVR400/1M IP44 LED 18W/840 E PC O	LED	2,3	2260 lm	
42 173 86	AVR400.1185DL/1M	AVR400/1M IP44 LED 18W/840 D PC O P	LED	2,4	2260 lm	
AVR400 luminaire for E27						
41 175 21	AVR400	1x100W A60/E27	E27	1,1		
AVR400 luminaires with electronic control gear						
41 175 22	AVR400.218E	2x18W TC-L/2G11 220-240V 0/50-60Hz	2G11	1,9		
41 174 96	AVR400.226E	AVR400 IP44 2xTC-DE 26W E PC	G24q-3	1,9		
AVR400 with 1-10V dimmable electronic ballast and a relay for controlling the 5%/100% light levels through a separate 230V power supply						
41 175 82	AVR400.218DR	2x18W TC-L/2G11 230V 50Hz	2G11	1,8		
AVR400 PIR sensor luminaires with electronic control gear						
41 175 42	AVR400.2184E	2x18W TC-L/2G11 220-240V 50-60Hz	2G11	2,2		
AVR400 radar sensor luminaires with electronic control gear						
42 170 16	AVR400.2189E	AVR400 IP44 2xTC-L18W E PC O RADAR	2G11	2,2		
AVR400 PIR sensor luminaires with 1-10V dimmable electronic control gear. Base light level 5% and PIR controlled light level 100%						
41 174 86	AVR400.2186D	2x18W TC-L/2G11 220-240V 50-60Hz	2G11	2,0		
AVR400 PIR sensor luminaires with 1-10V dimmable electronic control gear. Base light level 5% or 20% and PIR controlled light level 80% or 100%						
42 178 94	AVR400.2185D	2x18W TC-L/2G11 220-240V 50-60Hz	2G11	1,9		
AVR400 radar sensor luminaires with 1-10V dimmable electronic control gear. Base light level 5% and radar controlled light level 100%						
42 170 14	AVR400.2189D	AVR400 IP44 2xTC-L18W D PC O RADAR	2G11	2,0		

E number	Type	Product name	Base	Kg	Luminous flux	Additional information
AVR400 decorative frames polycarbonate						
41 179 52	AVL52					white
AVR400 decorative frames polycarbonate						
41 176 83	AVL59					white
AVR400 decorative frames powder coated aluminium						
41 178 80	AVL50					white



AVR400 PIR sensor luminaire



AVR400 Ø380...390

Installation picture



AVR400 suites well for office corridors, residential staircases, dry and wet areas and where ever you need high powered all around luminaire.