



# LED Panel UGR<19

Recessed LED panel very thin, for suspended ceiling tiles or plaster ceilings (with special accessory). It could be also suspended with an aluminium towline of between 1 and 4 metres (but driver will be visible).

Body: First quality aluminium, electrostatic paint in white polyester, stable to ultraviolet rays.

Wiring: As required on UNE-EN 60598 and also accomplishing the exigencies about electromagnetic compatibility and Electric Security (CE marked).

Driver : Philips Xitanium...

Under request, also available dimmable: DALI or 1-10V

Optic component: Micro-prism diffuser (URG<19)

With Samsung SMD LEDs chips

LED **SAMSUNG**  
Driver **PHILIPS**

Power: **AC 220-240V**

Ripple (no flickering): **4%**

Power Factor: **0,95**

Efficiency: **90%**

Beam angle: **80°**

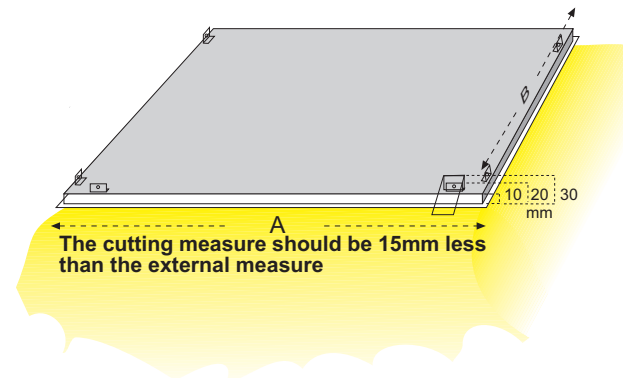
CRI: **> 80**

IP: **20** (interior) **54** (exterior)

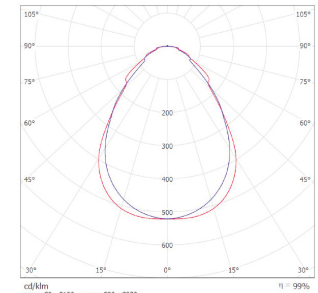
Life span: **50.000h**

L80B10 **54.000h (25°)**

Colour:  
white



Luminaria: IRELUZ IRD-2561-4000k



| Reference | Dimensions<br>A- millimeters -B | K<br>(temperature) | VDC (min-max)    | mA   | W   | Lumens LED |
|-----------|---------------------------------|--------------------|------------------|------|-----|------------|
| IRD-2561  | 595 x 595                       | 4000 K             | 37.8 - 41.9v     | 1050 | 42w | 4.510 Lm   |
| IRD-2562  | 295 x 1195                      | 4000 K             | 37.8 - 41.9v     | 1050 | 42w | 4.510 Lm   |
| IRD-2564  | 595 x 1195                      | 4000 K             | 2x(37.8 - 41.9v) | 1050 | 84w | 9.020 Lm   |

| H | Ø    | LUX  | 80° |
|---|------|------|-----|
| 1 | 1.67 | 2277 |     |
| 2 | 3.3  | 569  |     |
| 3 | 5.0  | 253  |     |
| 4 | 6.7  | 142  |     |
| 5 | 8.3  | 91   |     |