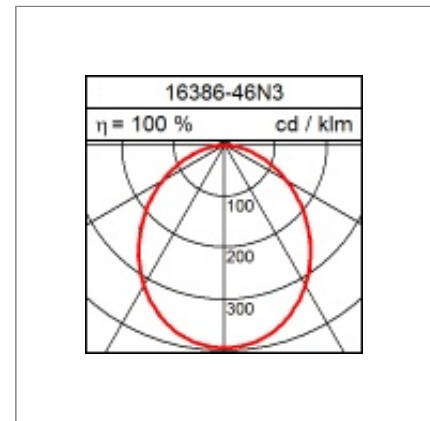
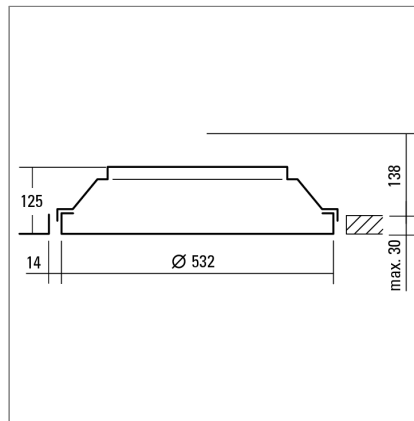





Technical Data

Recessed LED luminaire SPIN

52.6W LED, 4940 Lumen, 3000 Kelvin. Ø 532 mm, H max. 168 mm, IP20. With electronic ballast. CRI >80. Satined acrylic glass. For mounting in cavity. Mounting bracket and plasterframe included.



Product data

Item number	16386-46N3
Dimensions	H=168 / Ø=532
Lamp	LED
Equipment	46.3W
System output	52.6W
Ballast	
Assemblypoints Distance	
Weight	
Safety signs	IP20   

Light data

Optical Light Output Ratio	100 %
Light direct/non direct Ratio	100 % / 0 %
Absolute luminous flux	4940 lm
Lightoutput (lm/W)	93.92

Glare rating UGR

X=4H, Y=8H, S=0,25H
Deg. of reflection 70/50/20

Perpendicular Zero	22.5
Perpendicular Ninty	22.6