

AVR66

LED | T5 | T8



AVR66.115L LED

Jono luminaires can be used widely in different lighting systems. Jono series includes a wide range of technical solutions for different needs of lighting. Jono can be used at home, in offices as well as in storages. It is an excellent luminaire in bathrooms and kitchen. It can be used as a ramp luminaire for corridors and staircases as well as in car shelters and garages.

Move!

Ensto Luminaires and movement detection is a base for many Smart Solutions but operate perfectly as a standalone versions as well. Ensto Move!-luminaires use PIR or Radar technique, depending on your projects and demand.

DALI

DALI drivers enable luminaires to be connected to DALI based control systems and Smart Buildings. Compared to a fixed output installation, the dimming and individual control capability provided by DALI enables considerable energy savings and control, depending on luminaire specifications.



"Suits best everywhere,
in- and outdoor."



AVR66.110LP



AVR66.1159L LED RADAR



AVR66.1104L LED PIR

Structure

- ▶ Diffuser polycarbonate
- ▶ Body aluminium
- ▶ LED models:
 Connected load
 10W, luminaire luminous flux 895 lm (3000 K), 950 lm (4000 K)
 15W, luminaire luminous flux 1342 lm (3000 K), 1425 lm (4000 K)
 20W, luminaire luminous flux 1790 lm (3000 K), 1900 lm (4000 K)
 3000 K and 4000 K, Ra > 80, power factor 0,94
 Ambient temperature - 20 °C - + 25 °C
 LED-module lifespan 60 000 h (L70), T_a = 25 °C

Control

- ▶ AVR66 PIR-type of luminaires are sensor luminaires equipped with infra-red motion sensor (PIR) in which are settings for time (1-30 min.), sensitivity and twilight switch function
- ▶ AVR66 RADAR-type of luminaires are sensor luminaires equipped with high-frequency radar to detect motion (Radar) in which are settings for time (1-30 min.), sensitivity and twilight switch function
- ▶ 1-10V
- ▶ DALI
- ▶ Switch-control

Mounting

- ▶ To the ceiling and to the wall
- ▶ Snap-in terminal block 5x2,5 mm² with through wiring, PIR-/RADAR-models -o- 5x2,5 mm²
- ▶ Sensor luminaire models see more accurate information at WEB-site
- PIR-models:
 To the ceiling max. 4 meters height
 To the wall max. 1,7-2,7 meters height
- RADAR-models:
 To the ceiling max. 3,5 meters height
 To the wall 1,7- 2,7 meters height
- Suitable for stand-alone and master-slave installation
 Maximum load behind one master is 400VA, however max. 5 luminaires in the same control group
 Slave luminaires from the Ensto basic luminaire range

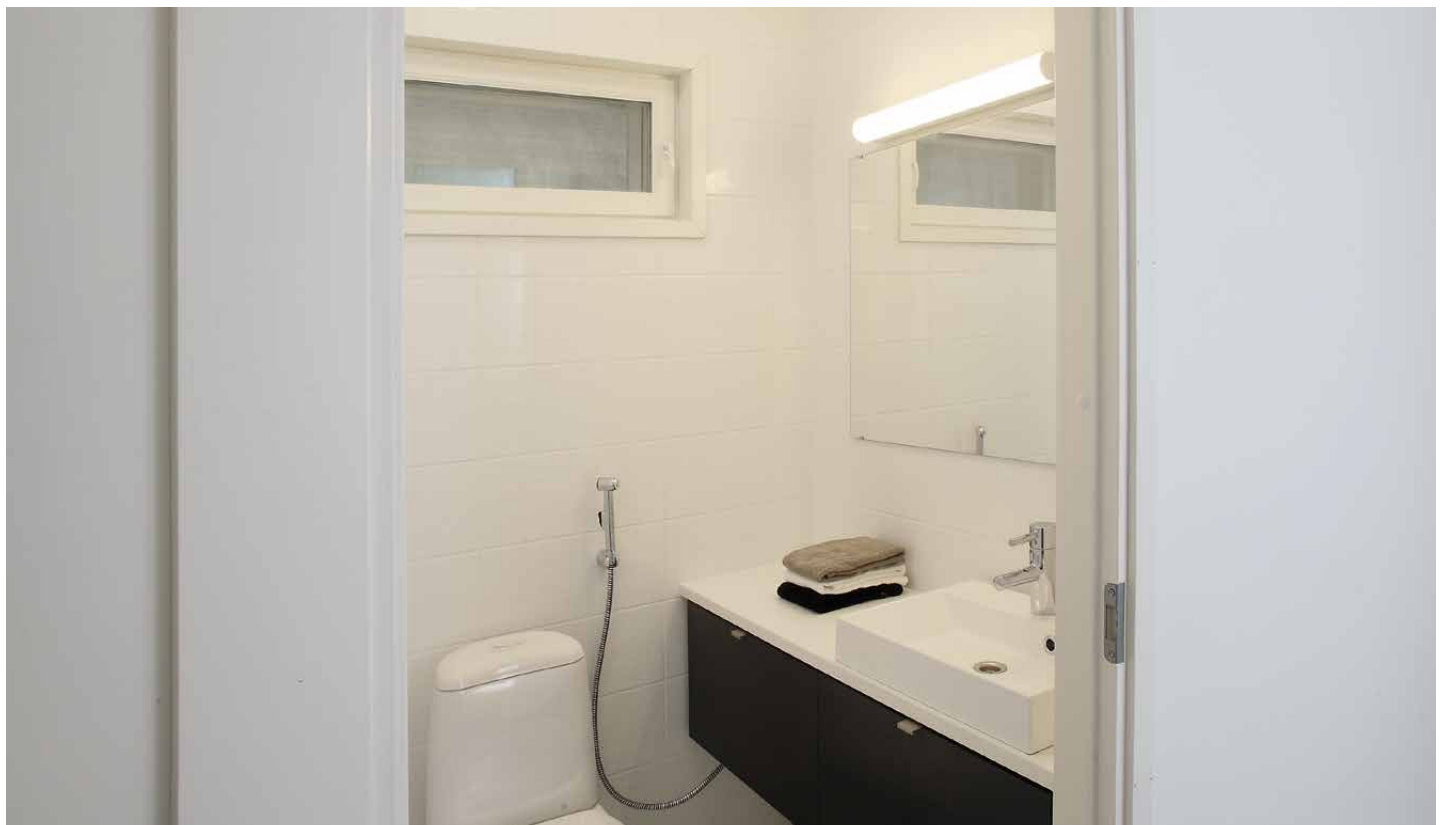
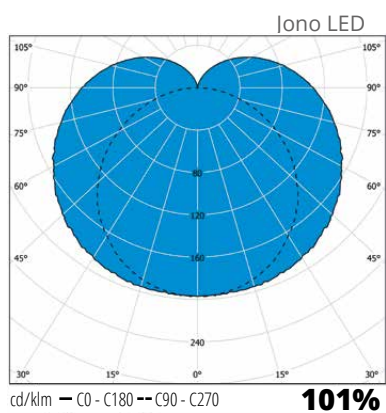
E number	Type	Product name	Base	Kg	Length	Luminous flux	Additional information
LED Jono							
42 176 01	AVR66.110L	AVR66 IP44 LED10W/840 E	LED	0,8	600	950 lm	
42 176 17	AVR66.110L/3K	AVR66 IP44 LED10W/830 E	LED	0,8	600	895 lm	
42 176 40	AVR66.115L	AVR66 IP44 LED15W/840 E	LED	1,2	900	1425 lm	
42 176 57	AVR66.115L/3K	AVR66 IP44 LED15W/830 E	LED	1,2	900	1342 lm	
42 179 16	AVR66.120L	AVR66 IP44 LED20W/840 E	LED	1,6	1200	1900 lm	
42 179 45	AVR66.120L/3K	AVR66 IP44 LED20W/830 E	LED	1,6	1200	1790 lm	
LED Jono aluminium colour							
42 176 29	AVR66.110LAL/3K	AVR66 IP44 LED10W/830 EAL	LED	0,8	600	895 lm	
LED Jono with switch							
42 176 05	AVR66.1101L	AVR66 IP44 LED10W/840 E1	LED	0,9	644	950 lm	
42 176 20	AVR66.1101L/3K	AVR66 IP44 LED10W/830 E1	LED	0,9	644	895 lm	
42 176 41	AVR66.1151L	AVR66 IP44 LED15W/840 E1	LED	1,3	944	1425 lm	
42 176 59	AVR66.1151L/3K	AVR66 IP44 LED15W/830 E1	LED	1,3	944	1342 lm	
LED Jono with switch, aluminium colour							
42 176 31	AVR66.1101LAL/3K	AVR66 IP44 LED10W/830 E1AL	LED	0,9	644	895 lm	
LED Jono with socket-outlet							
42 176 07	AVR66.110LP	AVR66 IP44 LED10W/840 EP	LED	0,9	677	950 lm	
42 176 22	AVR66.110LP/3K	AVR66 IP44 LED10W/830 EP	LED	0,9	677	895 lm	
42 176 43	AVR66.115LP	AVR66 IP44 LED15W/840 EP	LED	1,3	977	1425 lm	
42 176 61	AVR66.115LP/3K	AVR66 IP44 LED15W/830 EP	LED	1,3	977	1342 lm	

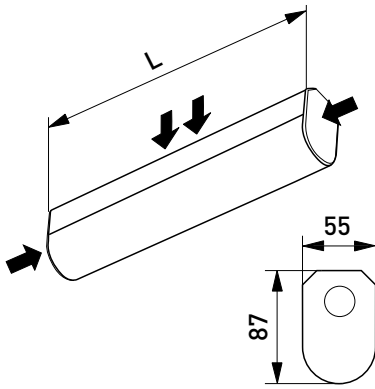


E number	Type	Product name	Base	Kg	Length	Luminous flux	Additional information
LED Jono with socket-outlet, aluminium colour							
42 176 32	AVR66.110LPAL/3K	AVR66 IP44 LED10W/830 EPAL	LED	0,9	677	895 lm	
LED jono with socket-outlet and switch							
42 176 10	AVR66.1101LP	AVR66 IP44 LED10W/840 E1P	LED	1,0	721	950 lm	
42 176 23	AVR66.1101LP/3K	AVR66 IP44 LED10W/830 E1P	LED	1,0	721	895 lm	
42 176 44	AVR66.1151LP	AVR66 IP44 LED15W/840 E1P	LED	1,4	1021	1425 lm	
42 176 63	AVR66.1151LP/3K	AVR66 IP44 LED15W/830 E1P	LED	1,4	1021	1342 lm	
42 179 17	AVR66.1201LP	AVR66 IP44 LED20W/840 E1P	LED	1,9	1321	1900 lm	
42 179 46	AVR66.1201LP/3K	AVR66 IP44 LED20W/830 E1P	LED	1,9	1321	1790 lm	
LED jono with socket-outlet and switch, aluminium colour							
42 176 34	AVR66.1101LPAL/3K	AVR66 IP44 LED10W/830 E1PAL	LED	1,0	721	895 lm	
LED Jono 1-10V							
42 176 53	AVR66.115DL	AVR66 IP44 LED15W/840 D	LED	1,2	900	1425 lm	
42 176 68	AVR66.115DL/3K	AVR66 IP44 LED15W/830 D	LED	1,2	900	1342 lm	
42 179 27	AVR66.120DL	AVR66 IP44 LED20W/840 D	LED	1,8	1200	1900 lm	
42 179 71	AVR66.120DL/3K	AVR66 IP44 LED20W/830 D	LED	1,8	1200	1790 lm	
LED Jono DALI							
42 176 55	AVR66.115DDL	AVR66 IP44 LED15W/840 DALI	LED	1,2	900	1425 lm	DALI, Switch dim
42 176 69	AVR66.115DDL/3K	AVR66 IP44 LED15W/830 DALI	LED	1,2	900	1342 lm	DALI, Switch dim
42 179 29	AVR66.120DDL	AVR66 IP44 LED20W/840 DALI	LED	1,8	1200	1900 lm	DALI, Switch dim
42 179 98	AVR66.120DDL/3K	AVR66 IP44 LED20W/830 DALI	LED	1,8	1200	1790 lm	DALI, Switch dim
LED Jono with sensor							
42 176 11	AVR66.1104L	AVR66 IP44 LED10W/840 EPIR	LED	1,0	656	950 lm	
42 176 25	AVR66.1104L/3K	AVR66 IP44 LED10W/830 EPIR	LED	1,0	656	895 lm	
42 176 16	AVR66.1109L	AVR66 IP44 LED10W/840 ERAD	LED	1,0	656	950 lm	
42 176 28	AVR66.1109L/3K	AVR66 IP44 LED10W/830 ERAD	LED	1,0	656	895 lm	
42 176 46	AVR66.1154L	AVR66 IP44 LED15W/840 EPIR	LED	1,4	956	1425 lm	
42 176 65	AVR66.1154L/3K	AVR66 IP44 LED15W/830 EPIR	LED	1,4	956	1342 lm	
42 176 49	AVR66.1159L	AVR66 IP44 LED15W/840 ERAD	LED	1,4	956	1425 lm	
42 176 67	AVR66.1159L/3K	AVR66 IP44 LED15W/830 ERAD	LED	1,4	956	1342 lm	
42 179 18	AVR66.1204L	AVR66 IP44 LED20W/840 EPIR	LED	1,8	1256	1900 lm	
42 179 47	AVR66.1204L/3K	AVR66 IP44 LED20W/830 EPIR	LED	1,8	1256	1790 lm	
42 179 19	AVR66.1209L	AVR66 IP44 LED20W/840 ERAD	LED	1,8	1256	1900 lm	
42 179 48	AVR66.1209L/3K	AVR66 IP44 LED20W/830 ERAD	LED	1,8	1256	1790 lm	
LED Jono with sensor, aluminium colour							
42 176 35	AVR66.1104LAL/3K	AVR66 IP44 LED10W/830 EPIRAL	LED	1,0	656	895 lm	
42 176 38	AVR66.1109LAL/3K	AVR66 IP44 LED10W/830 ERADAL	LED	1,0	656	895 lm	
LED Jono with PIR-sensor and socket-outlet							
42 176 13	AVR66.1104LP	AVR66 IP44 LED10W/840 EPIRP	LED	1,1	733	950 lm	
42 176 26	AVR66.1104LP/3K	AVR66 IP44 LED10W/830 EPIRP	LED	1,1	733	895 lm	
42 176 47	AVR66.1154LP	AVR66 IP44 LED15W/840 EPIRP	LED	1,5	1033	1425 lm	
42 176 66	AVR66.1154LP/3K	AVR66 IP44 LED15W/830 EPIRP	LED	1,5	1033	1342 lm	
LED Jono with PIR-sensor and socket-outlet, aluminium colour							
42 176 37	AVR66.1104LPAL/3K	AVR66 IP44 LED10W/830 EPIRPAL	LED	1,1	733	895 lm	
LED Jono with sensor and constant light (5/20%, factory setting 5%)							
42 179 21	AVR66.1205DL	AVR66 IP44 LED20W/840 DPIR5	LED	2,0	1256	1900 lm	
42 179 49	AVR66.1205DL/3K	AVR66 IP44 LED20W/830 DPIR5	LED	2,0	1256	1790 lm	
LED Jono with sensor and constant light (5%)							
42 179 23	AVR66.1206DL	AVR66 IP44 LED20W/840 DPIR6	LED	2,0	1256	1900 lm	
42 179 58	AVR66.1206DL/3K	AVR66 IP44 LED20W/830 DPIR6	LED	2,0	1256	1790 lm	
42 179 25	AVR66.1209DL	AVR66 IP44 LED20W/840 DRAD	LED	2,0	1256	1900 lm	
42 179 59	AVR66.1209DL/3K	AVR66 IP44 LED20W/830 DRAD	LED	2,0	1256	1790 lm	

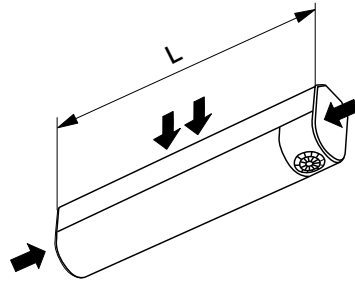
E number	Type	Product name	Base	Kg	Length	Luminous flux	Additional information
LED Jono with 1 hour battery back-up							
42 179 43	AVR66.120L/1M	AVR66 IP44 LED20W/840 E1M	LED	1,9	1200	1900 lm	
LED Jono with sensor and constant light (5/20%) and 1 hour battery back-up							
42 179 44	AVR66.1205DL/1M	AVR66 IP44 LED20W/840 DPIR51M	LED	2,2	1256	1900 lm	
LED Jono module-sized with socket-outlet							
42 903 09	AVR66.1560LP	AVR66 IP44 LED7W/840 SO 560	LED	1,0	560	650 lm	
42 903 00	AVR66.1600LP	AVR66 IP44 LED7W/840 SO 600	LED	1,0	600	650 lm	
42 903 12	AVR66.1900LP	AVR66 IP44 LED10W/840 SO 900	LED	1,2	900	1050 lm	
LED Jono module-sized with socket-outlet and dust cover							
42 903 03	AVR66.1500LPZ	AVR66 IP44 LED7W/840 SODUC500	LED	1,5	500	650 lm	
42 903 06	AVR66.1550LPZ	AVR66 IP44 LED7W/840 SODUC550	LED	1,7	550	650 lm	
42 903 55	AVR66.1600LPZ	AVR66 IP44 LED 7W/840 SO DUC	LED	1,8	600	650 lm	
42 903 56	AVR66.1900LPZ	AVR66 IP44 LED 10W/840 SO DUC	LED	2,5	900	1050 lm	
Jono TC-E 11W and T8 (ø 26 mm) with electronic control gear							
42 172 26	AVR66.111E	AVR66 IP44 TC-E 11W E PC O, 335mm	2G7	0,7	335		
42 178 10	AVR66.015E	1x15W T8/G13 220-240V 0/50-60Hz, 479 mm	G13	0,9	479		
42 170 99	AVR66.018E	1x18W T8/G13 220-240V 0/50-60Hz, 631mm	G13	1,0	631		
42 177 53	AVR66.030E	1x30W T8/G13 220-240V 0/50-60Hz, 936mm	G13	1,4	936		
42 171 02	AVR66.036E	1x36W T8/G13 220-240V 0/50-60Hz, 1241mm	G13	1,8	1241		
42 171 05	AVR66.058E	1x58W T8/G13 220-240V 0/50-60Hz, 1541mm	G13	2,0	1541		
Jono T5 (ø 16 mm) with electronic control gear							
42 170 58	AVR66.014E	1x14W T5/G5 220-240V 0/50-60Hz, 600mm	G5	0,9	600		
42 170 59	AVR66.021E	1x21W T5/G5 220-240V 0/50-60Hz, 900mm	G5	1,4	900		
42 170 50	AVR66.024E	1x24W T5/G5 220-240V 0/50-60Hz, 600mm	G5	1,0	600		
42 170 61	AVR66.028E	1x28W T5/G5 220-240V 0/50-60Hz, 1200mm	G5	1,8	1200		
42 170 62	AVR66.035E	1x35W T5/G5 220-240V 0/50-60Hz, 1500mm	G5	2,1	1500		
42 170 52	AVR66.039E	1x39W T5/G5 220-240V 0/50-60Hz, 900mm	G5	1,4	900		
42 177 36	AVR66.049E	1x49W T5/G5 220-240V 0/50-60Hz, 1500mm	G5	2,1	1500		
42 170 54	AVR66.054E	1x54W T5/G5 220-240V 0/50-60Hz, 1200mm	G5	1,8	1200		
Jono T5 (ø 16 mm) with 1-10V electronic control gear							
42 179 22	AVR66.014D	1x14W T5/G5 220/240V 0-50/60Hz, 600mm	G5	1,1	600		
42 179 24	AVR66.021D	1x21W T5/G5 220/240V 0-50/60Hz, 900mm	G5	1,4	900		
42 179 26	AVR66.028D	1x28W T5/G5 220/240V 0-50/60Hz, 1200mm	G5	1,9	1200		
42 179 28	AVR66.035D	1x35W T5/G5 220/240V 0-50/60Hz, 1500mm	G5	2,1	1500		
Jono T5 (ø 16 mm) with DSI/DALI electronic control gear							
42 178 09	AVR66.014DB	1x14W T5/G5 220/240V 0-50/60Hz, 600mm	G5	1,1	600		
42 178 15	AVR66.021DB	1x21W T5/G5 220/240V 0-50/60Hz, 900mm	G5	1,4	900		
42 178 16	AVR66.028DB	1x28W T5/G5 220/240V 0-50/60Hz, 1200mm	G5	1,9	1200		
42 178 17	AVR66.035DB	1x35W T5/G5 220/240V 0-50/60Hz, 1500mm	G5	2,1	1500		
PIR sensor Jono T5 (ø 16 mm) with electronic control gear							
41 174 91	AVR66.0144E	1x14W T5/G5 220-240V 0/50-60Hz, 657mm	G5	1,0	657		
41 174 93	AVR66.0214E	1x21W T5/G5 220-240V 0/50-60Hz, 957mm	G5	1,4	957		
42 177 22	AVR66.0284E	1x28W T5/G5 220-240V 0/50-60Hz, 1257mm	G5	1,7	1257		
42 177 24	AVR66.0354E	1x35W T5/G5 220-240V 0/50-60Hz, 1557mm	G5	2,1	1557		
PIR sensor Jono T5 (ø 16 mm) with socket-outlet and electronic control gear							
41 174 92	AVR66.0144EP	1x14W T5/G5 220-240V 0/50-60Hz, 734mm	G5	1,5	734		
Jono TC 11W, T5 (ø 16 mm) and T8 (ø 26 mm) with switch and electronic control gear							
42 172 23	AVR66.1111E	AVR66 IP44 TC-E 11W E PC O 1, 379mm	2G7	0,7	379		
42 178 08	AVR66.0141E	1x14W T5/G5 220-240V 0/50-60Hz, 644mm	G5	1,0	644		
42 179 83	AVR66.0281E	1x28W T5/G5 220-240V 0/50-60Hz, 1244mm	G5	1,8	1244		

E number	Type	Product name	Base	Kg	Length	Luminous flux	Additional information
Jono T5 (ø 16 mm) ja T8 (ø 26 mm) with socket-outlet and electronic control gear							
42 172 27	AVR66.1111EP	AVR66 IP44 TC-E 11W E PC O P, 412mm	2G7	0,8	412		
42 177 26	AVR66.014EP	1x14W T5/G5 220-240V 0/50-60Hz, 677mm	G5	1,0	677		
Jono TC 11W, T5 (ø 16 mm) and T8 (ø 26 mm) with switch, socket-outlet and electronic control gear							
42 172 24	AVR66.1111EP	AVR66 IP44 TC-E 11W E PC O 1 P, 456mm	2G7	0,9	456		
42 177 28	AVR66.0141EP	1x14W T5/G5 220-240V 0/50-60Hz, 721mm	G5	1,1	721		
Jono accessories							
42 175 56	AVL601	Wire suspension set for JONO AVR66					
42 175 59	AVL605	In-line connector set for JONO AVR66					
42 174 53	AVL608	90° angle connectorpair for JONO AVR66					
41 170 22	AVL609	Fixing kit for AVR66 Jono luminaire					

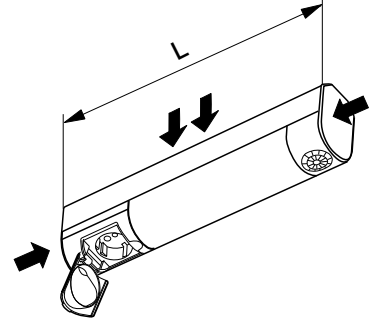




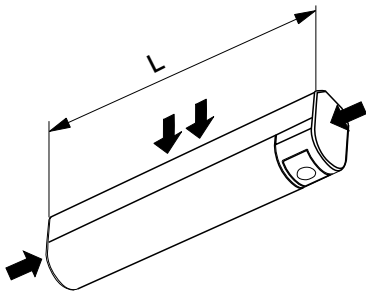
Jono and Jono Radar



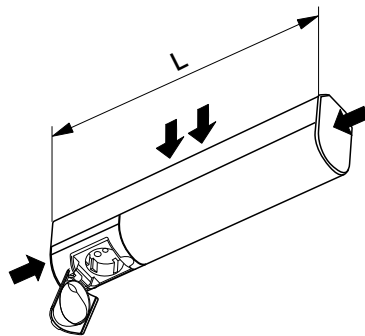
Jono PIR



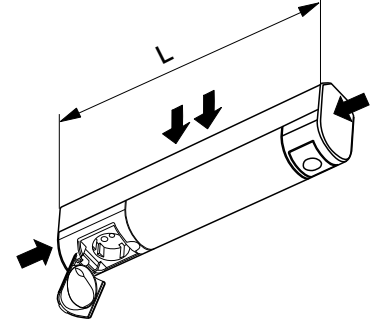
Jono PIR and socket outlet



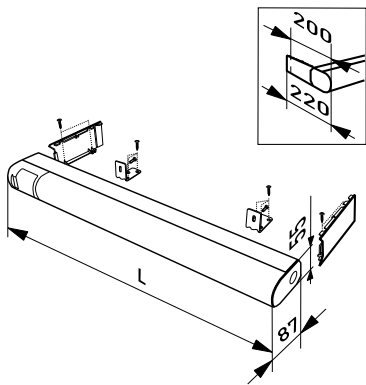
Jono with switch



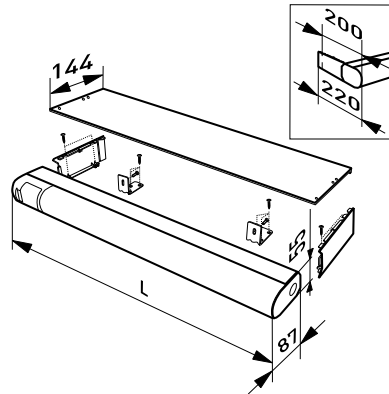
Jono with socket outlet and
Jono with socket outlet and circuitbreaker



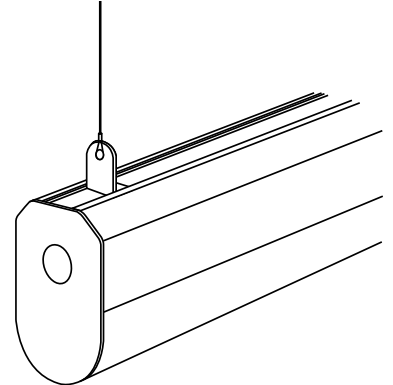
Jono with socket outlet and switch



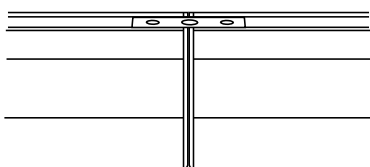
Module sized Jono with socket outlet



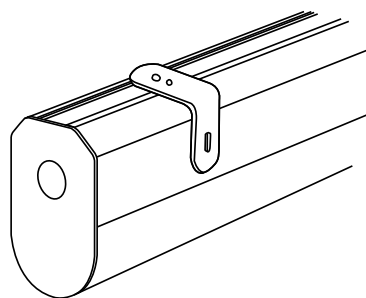
Module sized Jono with socket outlet
and dust cover



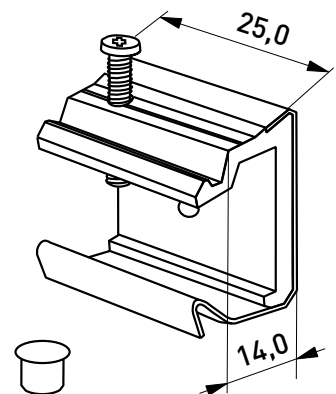
AVL601



AVL605



AVL608



AVL609