

Datasheet

PURE M



Manufacture: NEKO LIGHTING AG

Type: PURE M Tracklight PUM1-8301828F-BB

General

- Indoor
- Tracklight
- Tracklight
- Version: round
- Housing: black
- Reflector: black
- System Output: 3000lm
- IP 20

LED

- 3000K
- CRI80
- 3500lm
- 50000h@L80B10
- SDCM: 3

Optics

- Beam angle: 18°
- UGR <19

Electric

- LED Driver: ON-OFF
- LED Power: 25W
- System Power: 28W
- 36V
- 700mA

Dimensions

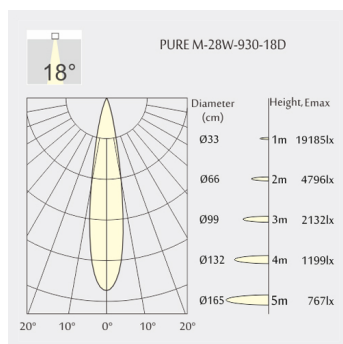
- Measurement: Ø90mm
- Height: 200mm
- Net Weight: 1140g
- Gross Weight: 1440g
- Pivot: max. 90°
- Rotation: 355°

Description

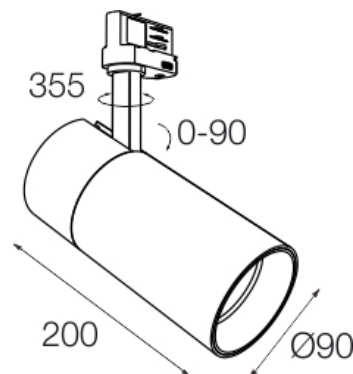
Tracklight round made of die-cast aluminium with black powder-coating finish (RAL 9005) and black reflector; LED 25W; measurement Ø90mm; tracklights length 200mm; luminaire's weight is approximately 1140g; rotation 355° and pivot max. 90°; CCT 3000K with an LED Output of 3500lm; with ON-OFF Driver; decent color rendering at an index of CRI80; after a lifetime of 50000h min. 80% of the luminous flux with energy efficient CITIZEN LED Chips; 5 years warranty; beam characteristic with 18° beam angle; lighting perfectly suitable for reading, writing as well as computer and control work according to DIN EN 12464-1 (UGR<19); degree of housing protection according to DIN EN 60529 (IP20)



Light distribution



Technical drawing



RoHS



Driver

GLOBAL

The technical data represent rated values for an ambient temperature of 25°C. The data values for the luminous flux are initially subject to a tolerance of +/- 10%, those for the electrical connected load are initially subject to a tolerance of +/- 10%, and those for the colour temperature are initially subject to a tolerance of +/- 150 K. No liability is assumed for typographical or printing errors. The general terms and conditions of NEKO Lighting AG apply.