

# ATHLOS



Athlos 2 Modules

Athlos 1 Module



## KEY ADVANTAGES

- Floodlight for great heights with 1 or 2 modules of 600 W or 1,200 W.
- LED module and Fork with adjustable position and inclination.
- Sturdiness: IP67 + IK08.
- Up to 6 optical distributions.
- Up to 156 lm/ W.
- Excellent visibility and uniformity.
- Lifespan L90B10 100,000 h at 25°C.



IP67



IK08



CI

RAL 7022  
Smooth gloss  
shade greyMarine finish  
available upon  
request

## DESCRIPTION

Athlos is Carandini's floodlight for great heights and sporting facilities. Its easy installation, sturdiness, with latest generation LED technology and optical distributions make it a quality, versatile solution.

4,000 K  
CRI>705,700 K  
CRI>70

CRI&gt;80 upon request

1 module: 18.0 Kg  
2 modules: 36.0 Kg1 module: 0.22 m<sup>2</sup>  
2 modules: 0.35 m<sup>2</sup>

-40 °C - +50 °C

0.00% - 0.35%  
FHS/ULR100 - 277 V / 240 V - 480 V  
50-60 Hz  
L90B10 100,000 h  
Ta 25 °C

64,000 lm - 187,200 lm

156lm/W  
Luminaire

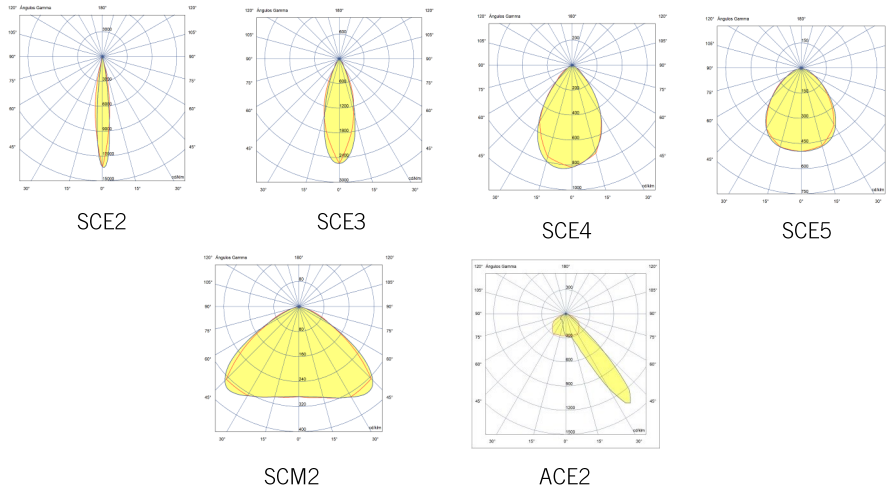
## STANDARDS / CERTIFICATES

- CE
- RoHS
- UNE-EN 60598-1
- UNE-EN 60598-2-3 or 60598-2-5
- UNE-EN 60598
- UNE-EN 61000-3-2
- UNE-EN 61000-3-3
- UNE-EN 55015
- UNE-EN 61547
- UNE-EN 62031
- UNE-EN 61347-2-13
- UNE-EN 62384
- UNE-EN 13032-4

\*Test reports from independent laboratories.  
Measurements taken at ISO 17025 approved laboratory.

## PHOTOMETRIC CONFIGURATIONS

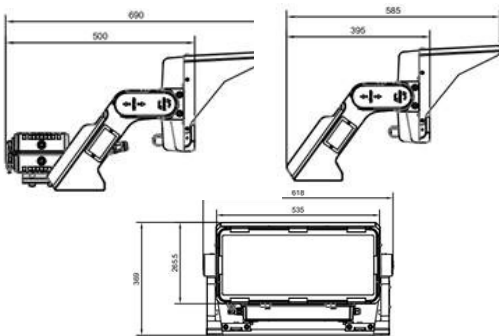
6 photometric configurations are available for use in the various environments where this type of luminaire might be installed, meaning it can be adapted to suit all



## DIMENSIONS

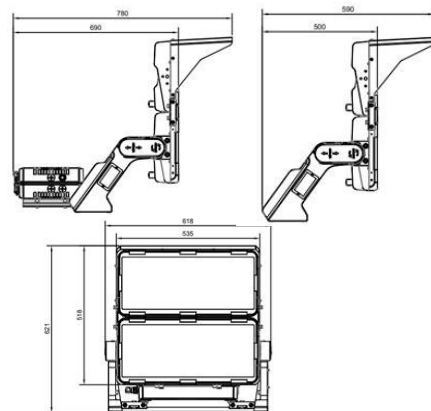
Dimensions in mm.

### Athlos 1 module



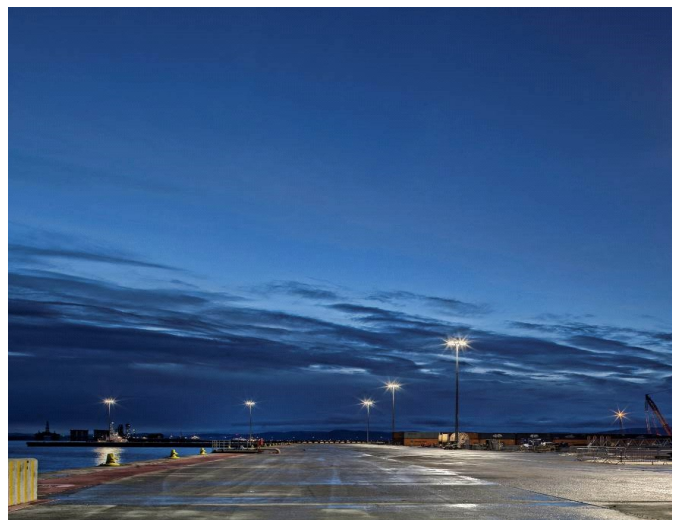
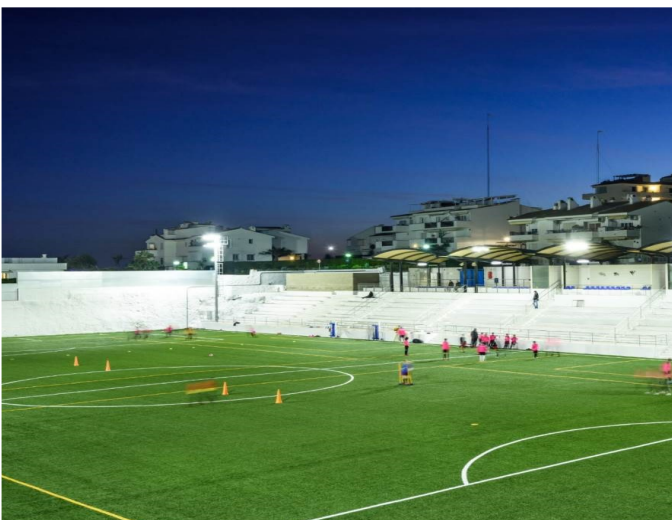
\*Optionally you can include a paralumina to contain the light.

### Athlos 2 modules



## APPLICATIONS

Football pitches, tennis courts, athletics tracks, car parks, ports and airports, and many other uses at great heights.



## ATHLOS CHARACTERISTICS

### GENERAL CHARACTERISTICS

|                                      |  |
|--------------------------------------|--|
| Body and mounting                    | Pressure die-cast aluminium EN AC-44100 with low copper content <0.1%.                                     |
| Finish                               | Smooth gloss shade grey polyester powder coating RAL 7022 (722B).  |
| Light enclosure                      | Toughened flat glass 4 mm.   |
| Exterior nuts and bolts              | Stainless steel (AISI304).   |
| General ingress protec-              | IP67 (EN 60598-1 and EN 60529)   |
| Degree of protection against impacts | IK08 (EN 62262)  |
| Operating temperature                | Ta -40 °C a +50 °C<br>According to luminaire configuration.  |
| Estimated life                       | L90B10 100,000 h at 25 °C.<br>Light maintenance values at 25 °C. Calculated by TM -21 based on LM-80 data. |

### ELECTRICAL CHARACTERISTICS

|                        |   |
|------------------------|---|
| Electrical class       | Class I   |
| Input voltage          | 240 V - 480 V / 50 Hz - 60 Hz<br>Optional 100 V- 277 V      |
| Power factor           | > 0.95  |
| Harmonic distortion    | < 10%   |
| Overvoltage protection | Overvoltage protection 10 kV - 10 kA Optional 20 kV - 20 kA |

### MAINTENANCE AND ASSEMBLY

|                              |   |
|------------------------------|---|
| Installation and maintenance | Driver installed behind floodlight in IP66 box. Control gear box can be supplied separate from floodlight for separate luminaire assembly, at a distance of 20 m. Over 20 m, upon request. The cable from the control gear to the luminaire includes a metallic protective mesh, only when the control gear box is installed at the back of the luminaire. If the box is not separate from the floodlight, extra cable is not supplied as standard and has no metallic protective mesh. |
| Installation                 | H01=> Fork installation.  |
| Mechanical adjustment        | Fork has an inclination of up to 270°.  |
| Accessories                  | - 20 metre cable. No protective mesh.- Shield for 1 and 2 module versions.- Laser pointer for easy installation.  |

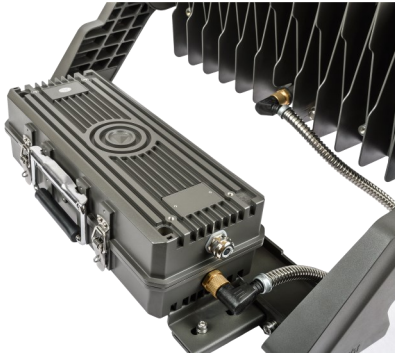
### LIGHTING CHARACTERISTICS

|                              |  |
|------------------------------|--|
| Real light package           | 1-module version: 64,000 - 91,600 lm (600 W).2-module version: 130,700 - 187,200lm (1200 W).   |
| LED colour temperature       | Available in 4,000 K and 5,700 K.3,000 K and 5,000 K upon request.   |
| Colour rendering index (CRI) | CRI>70.<br>CRI>80 upon request..   |
| LEDs                         | Includes:240, 480 LEDs (Only with SCE2, ACE2).816, 1632 LEDs (Only with SCE3, SCE4, SCE5, SCM2).   |
| ULR                          | Between 0.00% and 0.35% (Upward Light Ratio).  |
| Photometric configurations   | SCE2 => Throw 10° Spread 10°<br>SCE3 => Throw 30° Spread 30° SCE4 => Throw 60° Spread 60°<br>SCE5 => Throw 90° Spread 90° SCM2 => Throw 120° Spread 120°<br>ACE2 => Throw 30° and Spread 35° (Type II) |
| LED thermal management       | Thermal management by 3 principles of heat transfer: conduction, convection and radiation, that help achieve long LED and driver life.   |

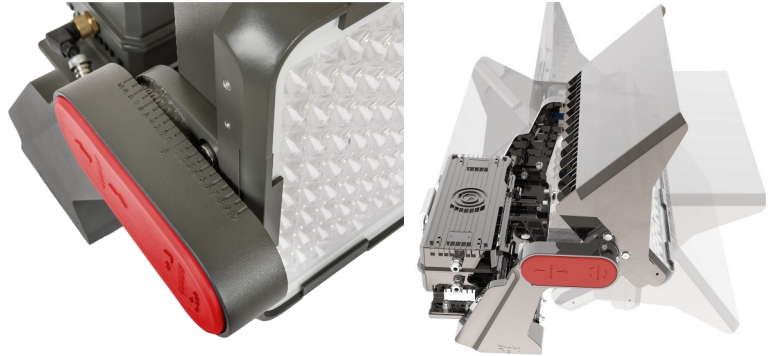
### MANAGEMENT AND CONTROL

|         |  |
|---------|--|
| Devices | RD: Adjustable LED Protocol DALI.A0: Adjustable LED Protocol 0-10 V. |
|---------|--|

## ATHLOS PHOTOGRAPHS



Driver installed behind floodlight, in IP66 box.



Floodlight can be adjusted up to 270°.



Shield to contain light.



The Athlos design maximises management of heat produced by the floodlight

## LOGISTICAL INFORMATION

|                  | Athlos 1 Module    | Athlos 2 Modules   |
|------------------|--------------------|--------------------|
| Box size:        | 670 x 580 x 330 mm | 730 x 500 x 130 mm |
| Box weight:      | 18 kg              | 36 kg              |
| Number of boxes: | 10 units           | 24 units           |
| American base:   | 1200 x 800 x 1800  | 1200 x 800 mm      |
| Stack height:    | 5 levels           | 12 levels          |
| Area occupied:   | 81%                | 76%                |
| Volume used:     | 71.6%              | 74.1%              |
| Total weight:    | 200 kg             | 293 kg             |