



# Recessed round LED downlight

Recessed LED round downlight for all kind of ceilings.

Body: First quality extruded aluminium, electrostatic paint in withe polyester, stable to ultraviolet rays.

Wiring: As required on UNE-EN 60598 and also accomplishing the exigencies about electromagnetic compatibility and Electric Security (CE marked).

Driver from first brands (Lifud, Tridonic... ). Under request also available dimmable DALI or 1-10V

Optic component: Opal diffuser,

With Samsung SMD LED chips

Colour: white

Other colours available upon request

LED



Driver



Power: **AC 220-240V**

Ripple (no flickering): **1%**

Power factor: **0,95**

Efficiency: **90%**

Angle: **100°**

CRI: **> 80**

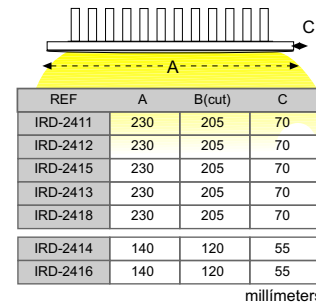
IP: **20** (interior) **54** (exterior)

IK: **06**

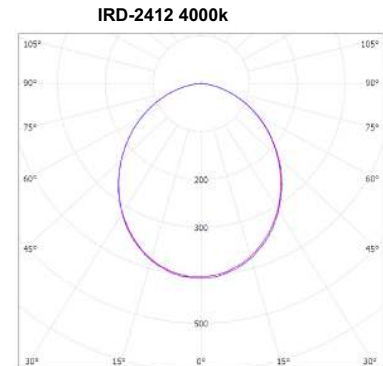
Life span: **50.000h**

Warranty: **3 years**

**L80B10 54.000H (25°)**



REFERENCE	POWER	VDC	mA	K (Temperature)	LUMENS
IRD-2411	25W	29-32V	700mA	5000°K	2.550 +/-5%
IRD-2412	25W	29-32V	700mA	4000°K	2.500 +/-5%
IRD-2415	25W	29-32V	700mA	3000°K	2.450 +/-5%
IRD-2413	30W	35-40V	700mA	4000°K	3.460 +/-5%
IRD-2418	30W	35-40V	700mA	3000°K	3.290 +/-5%
IRD-2414	12W	27-29V	350mA	4000°K	950 +/-5%
IRD-2416	12W	27-29V	350mA	3000°K	930 +/-5%



H	Ø	LUX
1	2.4	1011
2	4.8	253
3	7.2	112
4	9.6	63
5	12.0	40