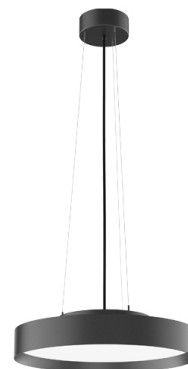


SUGAR 450 Wire Pendant

Manufacture: NEKO LIGHTING AG

Type: SUGAR Ceiling Light SBPW-8309018F-BB



General

- Indoor
- Pendant Light
- direct
- Version: round
- Housing: black
- Reflector: black
- System Output: 2000lm
- IP 40

Description

Round Wire Pendant luminaire made of die-cast-aluminium with black powder-coating finish (RAL 9005) and black decoration ring; ON-OFF Driver; LED 18W; measurement Ø450mm; luminaire's weight is approximately 3800g; CCT 3000K with an LED Output of 2600lm; decent color rendering at an index of CRI80; after a lifetime of 50000h min. 80% of the luminous flux with energy efficient OSRAM LED Chips; 5 years warranty; wide beam characteristic with 90° beam angle; lighting perfectly suitable for reading, writing as well as computer and control work according to DIN EN 12464-1 (UGR<19); degree of housing protection according to DIN EN 60529 (IP40)

LED

OSRAM

- 3000K
- CRI80
- 2600lm
- 50000h@L80B10
- SDCM: 3

Optics

- Beam angle: 90°
- UGR <19

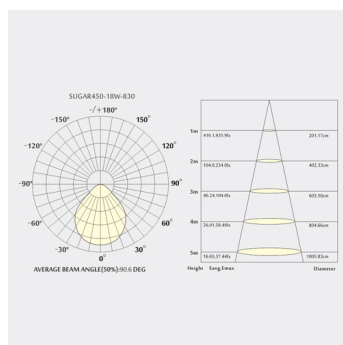
Electric

- LED Driver: ON-OFF
- LED Power: 18W
- System Power: 20W
- 36V
- 500mA

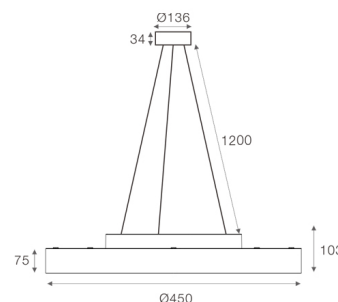
Dimensions

- Measurement: Ø450mm
- Height: 1301mm
- Net Weight: 3800g
- Gross Weight: 4500g

Light distribution



Technical drawing



RoHS



Driver



The technical data represent rated values for an ambient temperature of 25°C. The data values for the luminous flux are initially subject to a tolerance of +/- 10%, those for the electrical connected load are initially subject to a tolerance of +/- 10%, and those for the colour temperature are initially subject to a tolerance of +/- 150 K. No liability is assumed for typographical or printing errors. The general terms and conditions of NEKO Lighting AG apply.