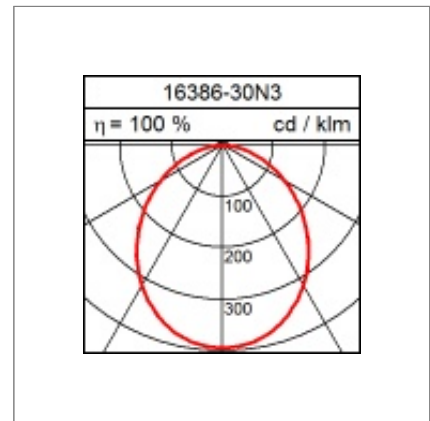
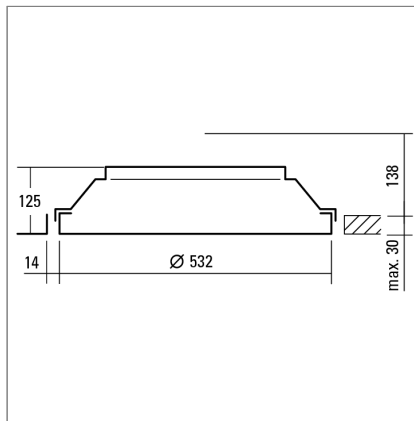





## Technical Data

### Recessed LED luminaire SPIN

33.9W LED, 3458 Lumen, 3000 Kelvin. Ø 532 mm, H max. 168 mm, IP20. With electronic ballast. CRI >80. Satined acrylic glass. For mounting in cavity. Mounting bracket and plasterframe included.



### Product data

Item number	16386-30N3
Dimensions	H=168 / Ø=532
Lamp	LED
Equipment	29.8W
System output	33.9W
Ballast	
Assemblypoints Distance	
Weight	
Safety signs	IP20   

### Light data

Optical Light Output Ratio	100 %
Light direct/non direct Ratio	100 % / 0 %
Absolute luminous flux	3458 lm
Lightoutput (lm/W)	102.01

### Glare rating UGR

X=4H, Y=8H, S=0,25H  
Deg. of reflection 70/50/20

Perpendicular Zero	21.3
Perpendicular Ninety	21.4