



# Panel LED IP-65

Recessed LED panel with IP65 index, very thin, for suspended ceiling tiles or plaster ceilings (with special accessory). It could be also suspended with an aluminium towline of between 1 and 4 metres (but driver will be visible).

Body: First quality aluminium, electrostatic paint in white polyester, stable to ultraviolet rays.

Wiring: As required on UNE-EN 60598 and also accomplishing the exigencies about electromagnetic compatibility and Electric Security (CE marked).

Driver : MEAN WELL with low flickering (less than 4%)

Optic component: Opal diffuser

With LUMILEDS SMD LEDs chips

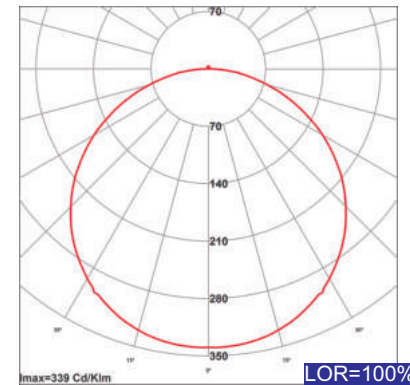
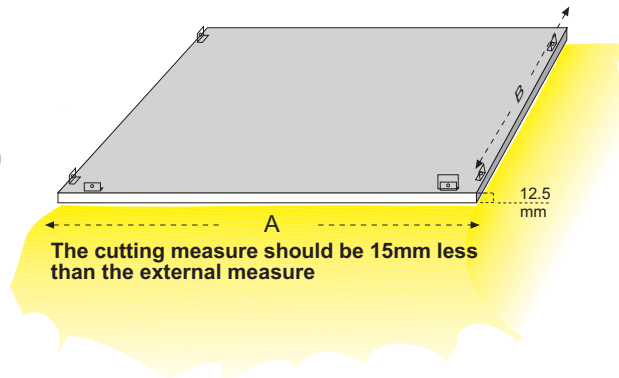
LM80>54.000H (1000mA ambient temperature <25°)  
LM90>37.000H (1000mA ambient temperature <25°)

LED LUMILEDS  
Driver MEAN WELL

Power: **AC 100-240V**  
Ripple (no flickering): **5%**  
Power factor: **0,95**  
Efficiency: **90%**

Angle: **120°**  
CRI: **> 80**  
IP: **65**

Lifespan: **50.000h**  
Warranty: **3 years**



Reference	Dimensions A- millimeters -B	K (temperature)	VDC (min-max)	mA	W	Lumens LED
IRD-6501-4	595 x 595	4000 K	22 - 54v	1000	40w	4.000Lm
IRD-6502-4	295 x 1195	4000 K	22 - 54v	1000	40w	4.000Lm

H	Ø	LUX	117°
1	3.2	1408	
2	6.5	352	
3	9.7	156	
4	13.0	88	
5	16.2	56	