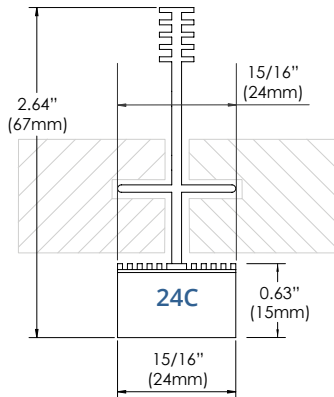
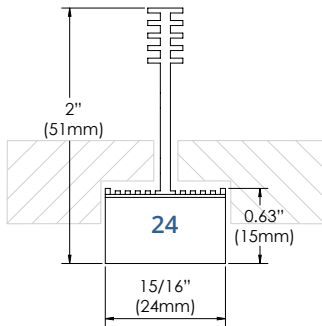


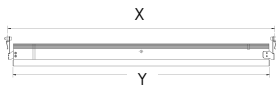
Product Name	Type of LED/K Color	Size	Grid Type	Optic	Mounting Clips	Color
TBSL = T-BAR LED	HW = Warm White 3000K	2 = 2 ft	24 = 15/16"	C = Cut-Off Reflector CWH = White Cut-Off Reflector CBL = Black Cut-Off Reflector	U = Universal A = Armstrong C = Custom	W = White C = Custom
	MW = Medium Warm 3500K	4 = 4 ft	24C = 15/16" Partially Concealed Grid			
	MN = Medium Neutral 4000K	5 = 5 ft				
	HN = Neutral White 4500K	4L = 4 ft L				
		6 = 60 cm				
		12 = 120 cm				
		12L = 120 cm L				

Patent No. 8,177,385; 9,879,850; D834,239; 178047. Additional patents are pending.

Profile Dimensions



Length Dimensions



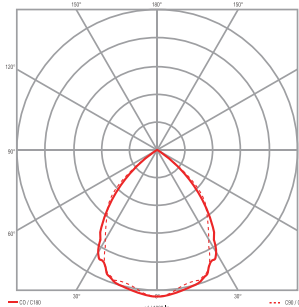
Size	Grid Type	X	Y
2 = 2ft	24 = 15/16"	24"	23"
4 = 4ft	24 = 15/16"	48"	47"
5 = 5ft	24 = 15/16"	60"	59"
4L = 4ft L	24 = 15/16"	48"	24"

CRI = >82 L₈₀ > 60K hrs IP20

LIGHT OUTPUT: (C Optic) *metalized finish*

623lm per foot

75lm/W



15/16" Cut-Off Reflector

NOTES:

T-BAR LED modules can be parallel connected up to 12 linear feet max per power supply. Remote power supply includes JB compartment for AC input direct wiring with metal conduit. Max distance from power supply to fixtures is 30 feet with 18 AWG wire. Longer distance achievable if using higher gauge wire.

APPLICATIONS:

Executive, Medical, Health, Educational, Retail, Hotels, Airport, Hospitality and any open space areas that require a unique and elegant architectural lighting design.

MOUNTING:

Universal mounting brackets are for easy installation to standard 15/16" T-Bars of most manufacturers' ceiling suspension systems. Armstrong compatible mounting clips for installation with Armstrong Ceiling 15/16" Prelude® and Clean Room™ suspension systems.

MATERIALS:

Anodized and painted aluminum extruded body, steel mounting clips, white PC end caps, high reflectance 98% aluminum coated or white or black PC reflectors on each LED for a dark light effect.

ELECTRIC:

High output LEDs consume 16W total (2 foot) or 32W total (4 foot) or 40W total (5 foot). Power supply consumption not included. Input voltage 24VDC. Class 2 plenum rated cables at each end equipped with quick connectors to allow multiple modules to be easily connected together (max 12 linear feet of product). Use solid copper wire or wire ferrules to fit into quick connectors.

WARRANTY:

5 years

LISTINGS:

ETL/cETLus CE RoHS. Indoor use only.

