

SUSPENSION BRACKET TWT9000

We reserve the rights to make modifications without notice.
Copyright © 2022 Teknoware. All rights reserved.
Date: December 14, 2022 | Source:
www.teknoware.com/en/emergency-lighting/suspension-bracket-twt9000

Teknoware Oy | P.O. Box 19, 15101 Lahti | Ilmarisentie 8, 15200 Lahti Finland
Tel +358 3 883 020 | VAT-number FI01494751 | teknoware.com | emexit@teknoware.com





We reserve the rights to make modifications without notice.
Copyright © 2022 Teknoware. All rights reserved.
Date: December 14, 2022 | Source:
www.teknoware.com/en/emergency-lighting/suspension-bracket-twt9000

Teknoware Oy | P.O. Box 19, 15101 Lahti | Ilmarisentie 8, 15200 Lahti Finland
Tel +358 3 883 020 | VAT-number FI01494751 | teknoware.com | emexit@teknoware.com



Suspension bracket for ESC 90, ESC 80 and ESC 81 emergency exit lights.

We reserve the rights to make modifications without notice.
Copyright © 2022 Teknoware. All rights reserved.
Date: December 14, 2022 | Source:
www.teknoware.com/en/emergency-lighting/suspension-bracket-twt9000

Teknoware Oy | P.O. Box 19, 15101 Lahti | Ilmarisentie 8, 15200 Lahti Finland
Tel +358 3 883 020 | VAT-number FI01494751 | teknoware.com | emexit@teknoware.com

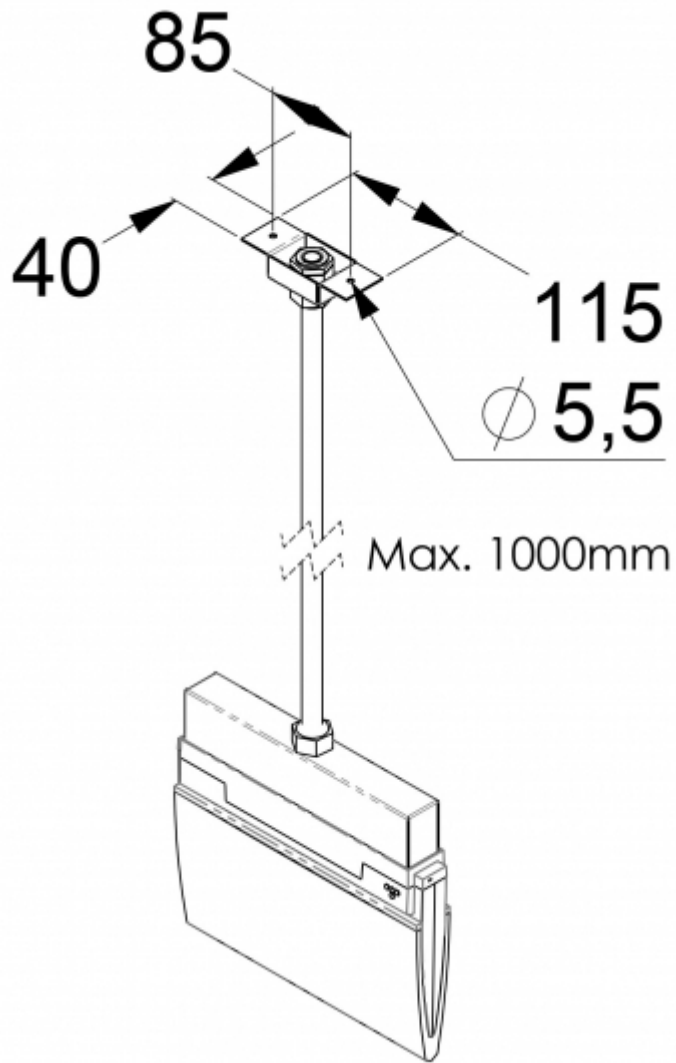


Product Code	TWT9000
Customs Code	94056080
GTIN Code	6438045011561
ETIM Product Class	EC002557
Length	115 mm
Width	40 mm
Height	1000 mm
Weight	0,64 kg

We reserve the rights to make modifications without notice.
Copyright © 2022 Teknoware. All rights reserved.
Date: December 14, 2022 | Source:
www.teknoware.com/en/emergency-lighting/suspension-bracket-twt9000

Teknoware Oy | P.O. Box 19, 15101 Lahti | Ilmarisentie 8, 15200 Lahti Finland
Tel +358 3 883 020 | VAT-number FI01494751 | teknoware.com | emexit@teknoware.com







We reserve the rights to make modifications without notice.
Copyright © 2022 Teknoware. All rights reserved.
Date: December 14, 2022 | Source:
www.teknoware.com/en/emergency-lighting/suspension-bracket-twt9000

Teknoware Oy | P.O. Box 19, 15101 Lahti | Ilmarisentie 8, 15200 Lahti Finland
Tel +358 3 883 020 | VAT-number FI01494751 | teknoware.com | emexit@teknoware.com





We reserve the rights to make modifications without notice.
Copyright © 2022 Teknoware. All rights reserved.
Date: December 14, 2022 | Source:
www.teknoware.com/en/emergency-lighting/suspension-bracket-twt9000

Teknoware Oy | P.O. Box 19, 15101 Lahti | Ilmarisentie 8, 15200 Lahti Finland
Tel +358 3 883 020 | VAT-number FI01494751 | teknoware.com | emexit@teknoware.com





We reserve the rights to make modifications without notice.
Copyright © 2022 Teknoware. All rights reserved.
Date: December 14, 2022 | Source:
www.teknoware.com/en/emergency-lighting/suspension-bracket-twt9000

Teknoware Oy | P.O. Box 19, 15101 Lahti | Ilmarisentie 8, 15200 Lahti Finland
Tel +358 3 883 020 | VAT-number FI01494751 | teknoware.com | emexit@teknoware.com

 **TEKNOWARE®**