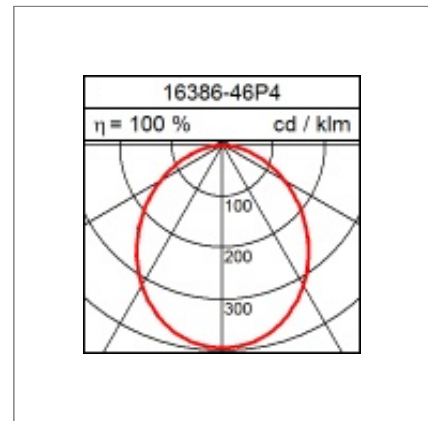
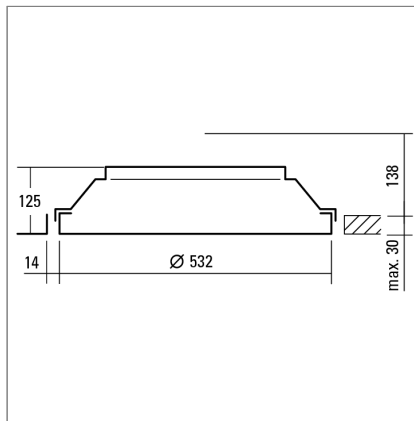





## Technical Data

### Recessed LED luminaire SPIN

52.6W LED, 5294 Lumen, 4000 Kelvin. Ø 532 mm, H max. 168 mm, IP20. With electronic ballast. CRI >80. Satined acrylic glass. For mounting in cavity. Mounting bracket and plasterframe included.



### Product data

|                         |  |
|-------------------------|--|
| Item number             | 16386-46P4   |
| Dimensions              | H=168 / Ø=532  |
| Lamp                    | LED  |
| Equipment               | 46.3W  |
| System output           | 52.6W  |
| Ballast                 |  |
| Assemblypoints Distance |  |
| Weight                  |  |
| Safety signs            | IP20    |

### Light data

|                               |             |
|-------------------------------|-------------|
| Optical Light Output Ratio    | 100 %       |
| Light direct/non direct Ratio | 100 % / 0 % |
| Absolute luminous flux        | 5294 lm     |
| Lightoutput (lm/W)            | 100.65      |

### Glare rating UGR

X=4H, Y=8H, S=0,25H  
Deg. of reflection 70/50/20

|                     |      |
|---------------------|------|
| Perpendicular Zero  | 22.8 |
| Perpendicular Ninty | 22.8 |